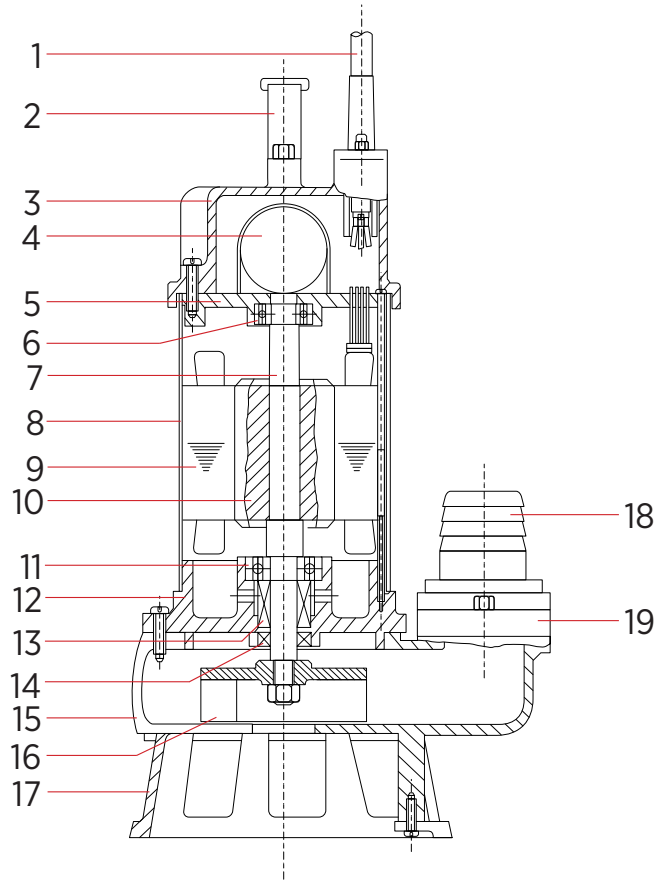


10716 - RIC075A Ind Cutter Pump 0.75kW 240V w Float



No.	Name	Material
1	Cable	H07RNF
2	Handle	Plastic
3	Upper Cover	Cast Iron
4	Capacitor (1PH ONLY)	
5	Bearing Shelf	Cast Iron
6	Bearing	
7	Shaft	S/S Gr 410
8	Motor Frame	S/S Gr 304
9	Stator	
10	Rotor	
11	Bearing	
12	Bearing Bracket	Cast Iron
13	Mech. Seal	
14	Oil Seal	
15	Pump Housing	Cast Iron
16	Impeller	Cast Iron
17	Base Stand	FCD-45
18	Discharge Outlet	Plastic
19	Discharge Flange	Plastic