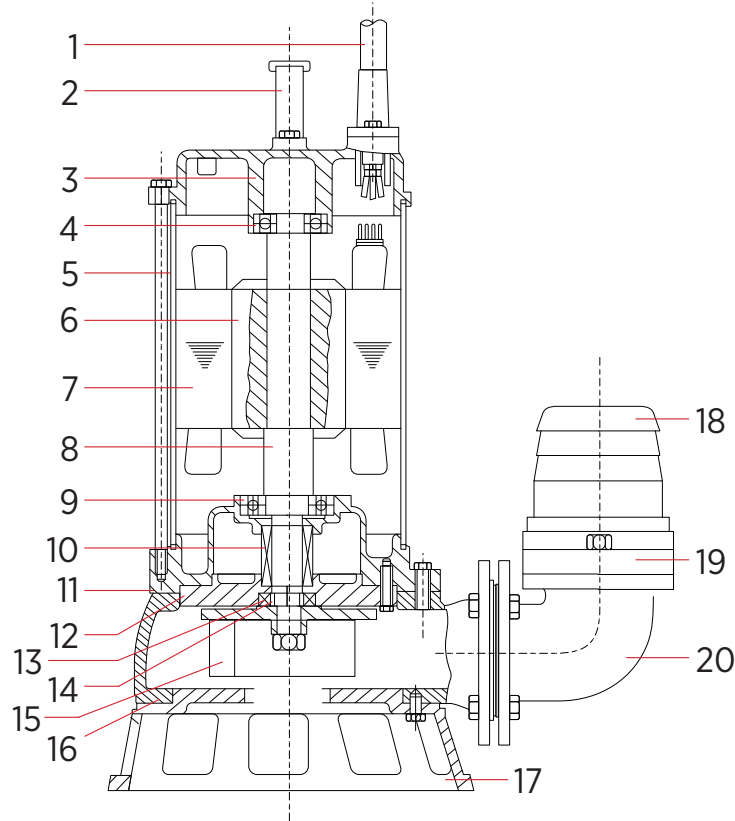


## 10723 - RIC150A Cutter Pump 1.5kW 240V w Float



No.	Name	Material
1	Cable	H07RNF
2	Handle	S/S Gr 304
3	Upper Cover	Cast Iron
4	Bearing	
5	Motor Frame	S/S Gr 304
6	Rotor	
7	Stator	
8	Shaft	S/S Gr 410
9	Bearing	
10	Mechanical Seal	Ceramic-Carbon
11	Bearing Bracket	Cast Iron
12	Mechanical Seal Lid	Cast Iron
13	Oil Seal	NBR
14	Oil Seal Sleeve	S/S Gr 304
15	Impeller	FCD-45
16	Pump Housing	Cast Iron
17	Base Stand	FCD-45
18	Outlet Pipe	Plastic
19	Outlet Flange	Cast Iron
20	Outlet Elbow	Cast Iron