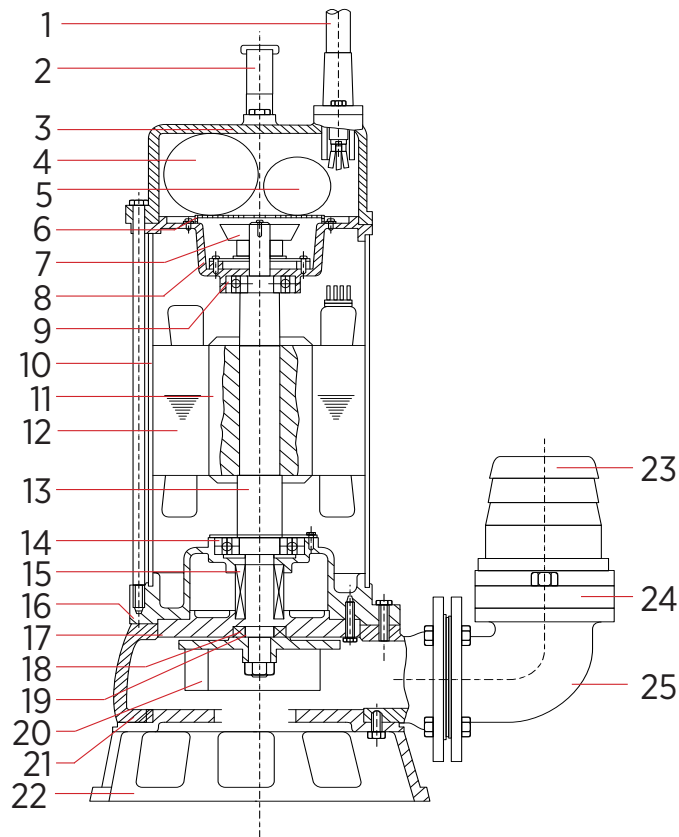


10730 - RIC150.3 Cutter Pump 1.5kW 415V Manual



No.	Name	Material
1	Cable	H07RNF
2	Handle	S/S Gr 304
3	Upper Cover	Cast Iron
4	Capacitor	
5	Capacitor	
6	Centrifugal Switch Cover	SPHC (IRON)
7	Centrifugal Switch	
8	Bearing Shelf	Cast Iron
9	Bearing	
10	Motor Frame	S/S Gr 304
11	Rotor	
12	Stator	
13	Shaft	S/S Gr 410
14	Bearing	
15	Mech. Seal	Ceramic-Carbon
16	Bearing Bracket	Cast Iron
17	Mech Seal Lid	Cast Iron
18	Oil Seal	
19	Oil Seal Sleeve	S/S Gr 304
20	Impeller	FCD-45
21	Pump Housing	Cast Iron
22	Base Stand	FCD-45
23	Outlet Pipe	Plastic
24	Outlet Flange	Cast Iron
25	Outlet Elbow	Cast Iron