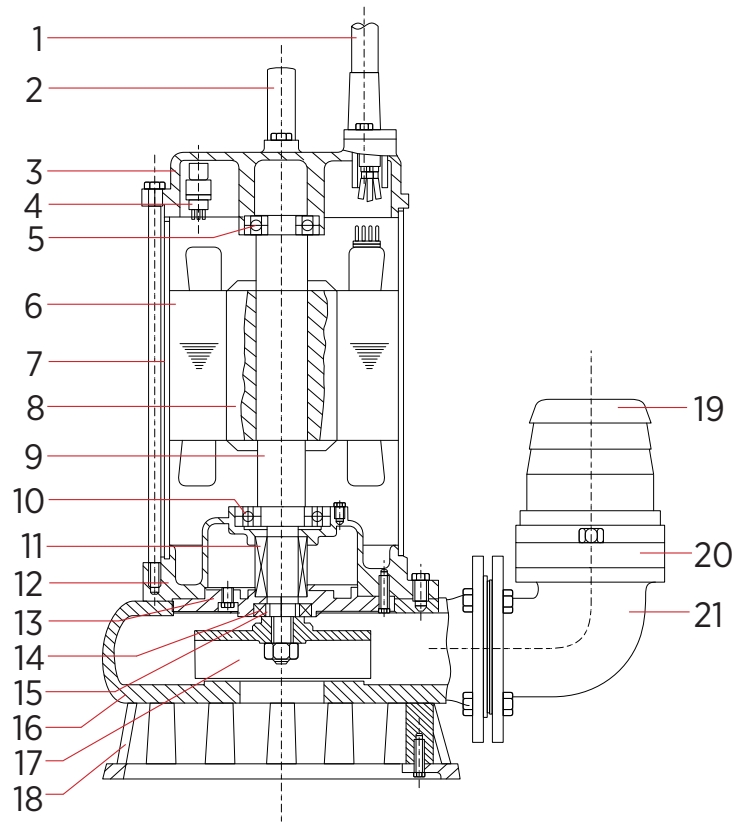


## 10747 - RIC220.3 Cutter Pump 2.2kW415V Manual



No.	Name	Material
1	Cable	H07RNF
2	Handle	S/S Gr 304
3	Upper Cover	Cast Iron
4	Protector	
5	Bearing	
6	Stator	
7	Motor Frame	S/S Gr 304
8	Rotor	
9	Shaft	S/S Gr 410
10	Bearing	
11	Mech Seal	SIC/NBR
12	Bearing Bracket	Cast Iron
13	Mech Seal Lid	Cast Iron
14	Oil Seal	
15	Oil Seal Sleeve	S/S Gr 304
16	Pump Housing	Cast Iron
17	Impeller	FCD-45
18	Base Stand	FCD-45
19	Discharge Outlet	Plastic
20	Discharge Flange	Cast Iron
21	Outlet Elbow	Cast Iron