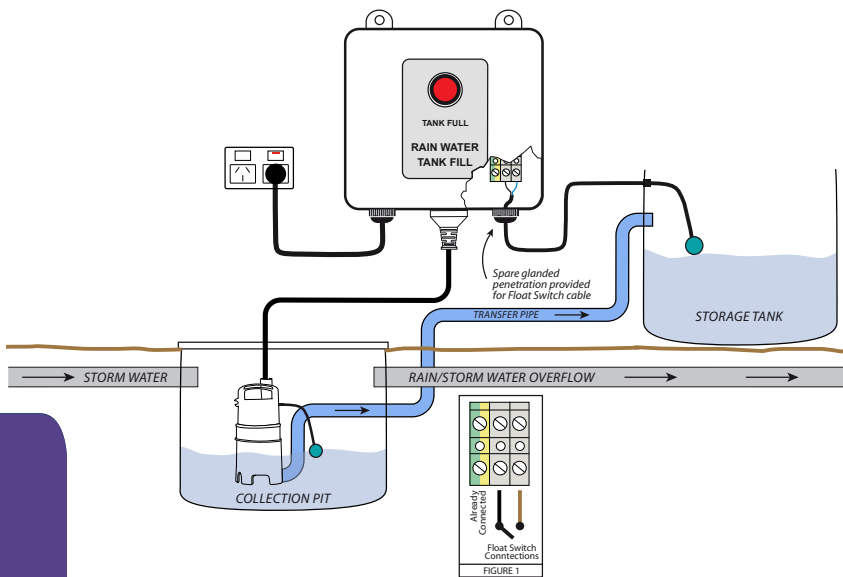


RAIN/STORMWATER - TANK FILL



This simple, yet effective controller provides the means of controlling an automatic pump, used to transfer stormwater from a collection pit to a storage tank. This system has low voltage supply to the float switch, situated in the storage tank, and the controller. When the storage tank is full, the controller isolates the pump and the 'tank full' light is illuminated. An IP68 connector is provided for a waterproof connection for the float switch cable at the storage tank.

FEATURES

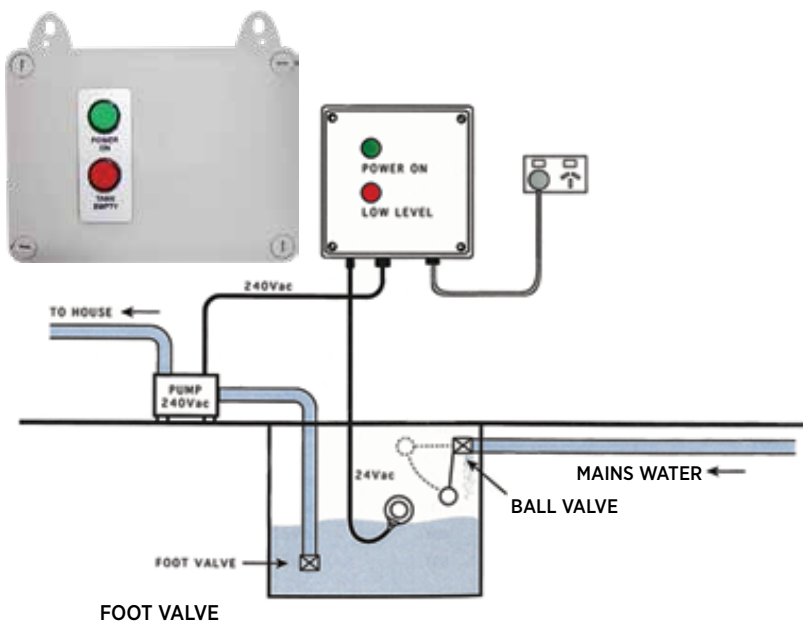
- Automatic 'Tank Full' pump inhibitor
- 'Tank Full' indicator light
- Low voltage float switch circuitry
- Rated for pumps up to 8 amps
- Weatherproof polycarbonate enclosure

KIT INCLUDES

- Controller enclosure including power lead and moulded plug
- Mounting bracket
- 10m NBR float switch
- Standard 3 pin plug connection for pump
- Quick plug connection for float switch

CODE	MODEL
12981	REEFE® Pump Tank Fill Controller with Float Switch

PUMP SHUT-OFF CONTROLLER



This simple, yet effective controller provides the means of controlling an automatic pump, used to pump water from a tank into the home. The system uses low voltage between the float switch, situated in the storage tank, and the controller. When the storage tank is empty, the controller isolates the pump and the 'Low Level' light is illuminated. Power to the pump is restored once water level in the tank has risen to the reset level.

FEATURES

- 'Power On' indication
- 'Low Level' indication
- 10 amp switch rating
- 'Quick Plug' float switch DIY connection
- Standard 3 pin plug connection for pump
- Low voltage float switch circuitry

KIT INCLUDES

- Controller enclosure with power lead and moulded plug
- Mounting brackets
- 10m NBR float switch

CODE	MODEL
12983	REEFE® Pump Shut-off Controller with Float Switch