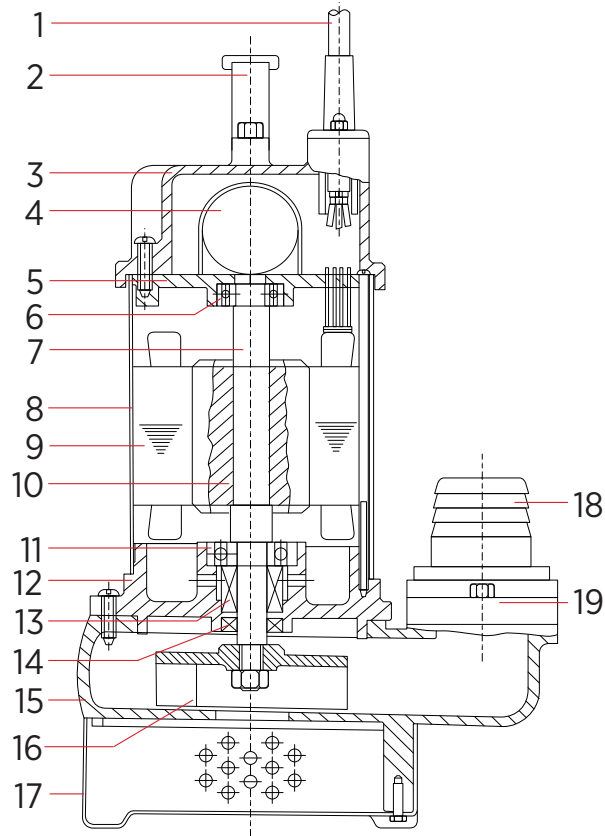


10723 - RIC150A Cutter Pump 1.5kW 240V



| No. | Name | Material |
|-----|------------------|------------|
| 1 | Cable | H07RNF |
| 2 | Handle | Plastic |
| 3 | Upper Cover | Cast Iron |
| 4 | Bearing | |
| 5 | Bearing Shelf | Cast Iron |
| 6 | Bearing | |
| 7 | Shaft | S/S Gr 410 |
| 8 | Motor Frame | S/S Gr 304 |
| 9 | Stator | |
| 10 | Rotor | |
| 11 | Bearing | |
| 12 | Bearing Bracket | Cast Iron |
| 13 | Mech. Seal | |
| 14 | Oil Seal | |
| 15 | Pump Housing | Cast Iron |
| 16 | Impeller | Cast Iron |
| 17 | Strainer | S/S Gr 304 |
| 18 | Discharge Outlet | Plastic |
| 19 | Discharge Flange | Plastic |