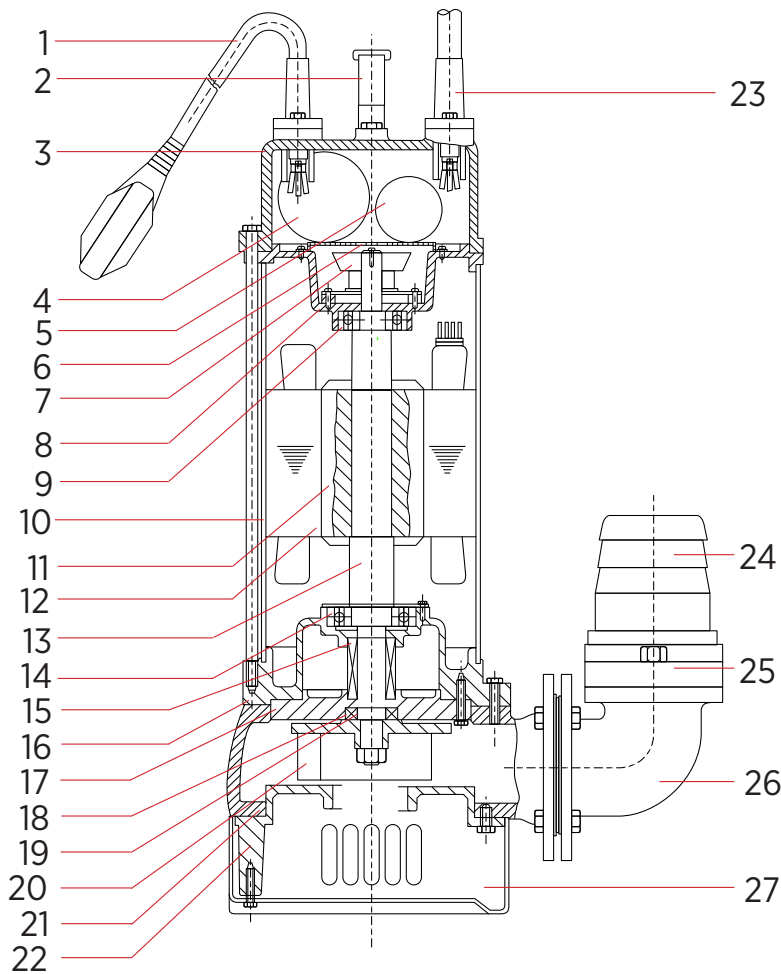


7464 - RDP150 Drainage Pump 1.5kW 240V w Float Switch



No.	Name	Material
1	Float Switch	
2	Handle	S/S Gr 304
3	Upper Cover	Cast Iron
4	Capacitor	
5	Capacitor	
6	Centrifugal Switch	SPHC
7	Centrifugal Switch	
8	Bearing Shelf	Cast Iron
9	Bearing	
10	Motor Frame	S/S Gr 304
11	Rotor	
12	Stator	
13	Shaft	S/S Gr 410
14	Bearing	
15	Mech. Seal	
16	Bearing Bracket	Cast Iron
17	Mech. Seal Lid	Cast Iron
18	Oil Seal	
19	Oil Seal Sleeve	S/S Gr 304
20	Impeller	FCD-45
21	Pump Housing	Cast Iron
22	Base Stand	Cast Iron
23	Cable	H07RNF
24	Outlet Pipe	Plastic
25	Outlet Flange	Cast Iron
26	Outlet Elbow	Cast Iron
27	Strainer	S/S Gr 304