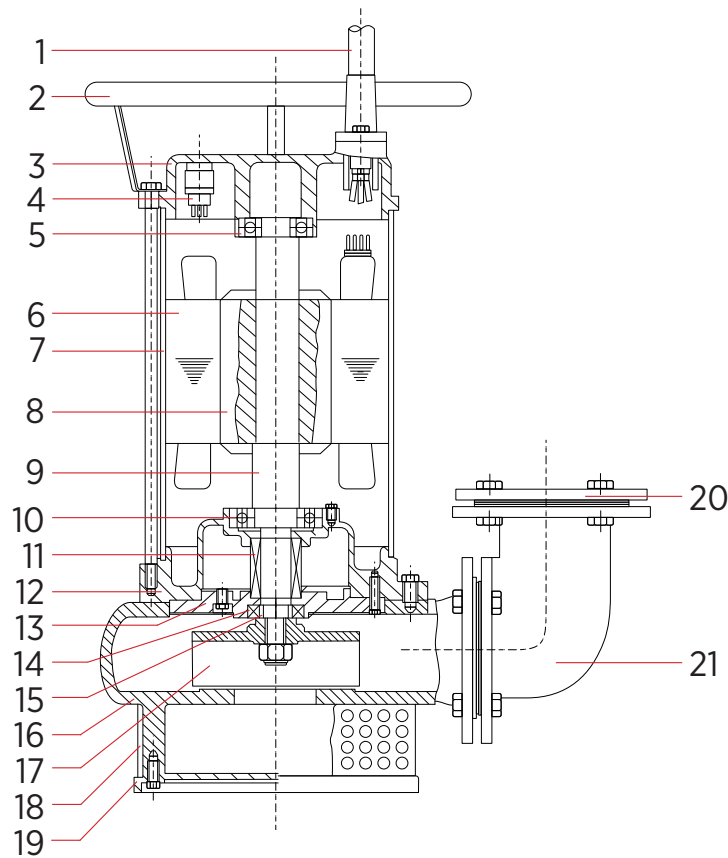


## 7686 - RDP370 Drainage Pump 3.7kW 415v Manual



No.	Name	Material
1	Cable	H07RNF
2	Handle	S/S Gr 304
3	Upper Cover	Cast Iron
4	Protector	
5	Uper Bearing	
6	Stator	
7	Motor Frame	S/S Gr 304
8	Rotor	
9	Shaft	S/S Gr 410
10	Lower Bearing	
11	Mech. Seal	SIC/NBR
12	Bearing Bracket	Cast Iron
13	Mech Seal Lid	Cast Iron
14	Oil Seal	
15	Oil Seal Sleeve	S/S Gr 304
16	Pump Housing	Cast Iron
17	Impeller	FCD-45
18	Strainer	S/S Gr 304
19	Bottom Plate	FCD-45
20	Discharge Flange	Cast Iron
21	Outlet Elbow	Cast Iron