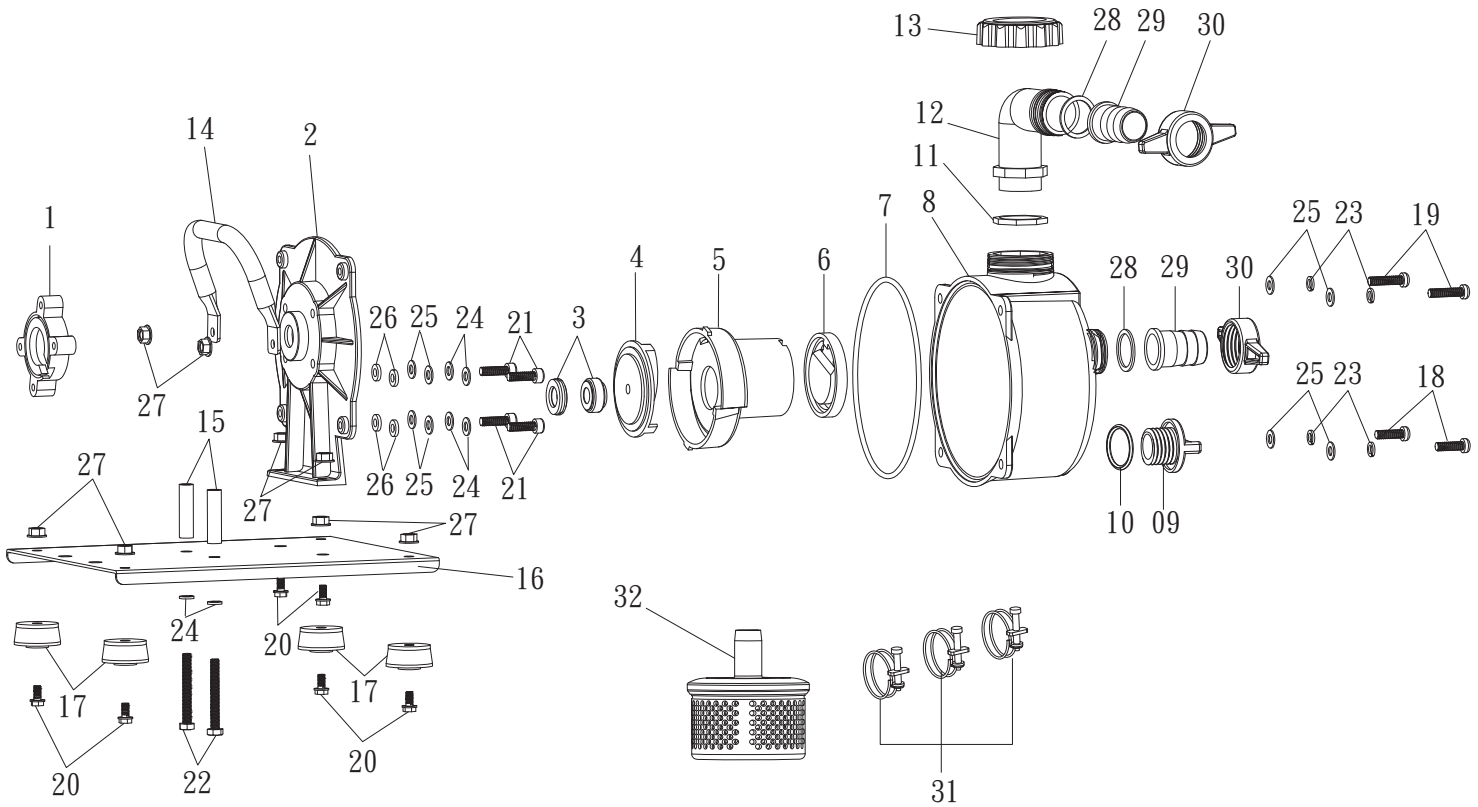


## MH010 1" Transfer Pump



PART NUMBER	CODE	DESCRIPTION	QTY
1	-	Casing Holder	1
2	10.3	Backplate of Casing	1
3	10.6	Viton Mechanical Seal	1
4	10.7	Impeller	1
5	10.8	Volute	1
6	10.9	Viton Check Valve (Flapper)	1
7	10.10	Viton 136mm O-Ring	1
8	10.11	Casing	1
9	10.12	Cap Plug	1
10	10.13?	18.8mm O-Ring	1
11	10.14	Viton Octagonal Gasket	1
12	10.15	Delivery Elbow	1
13	10.6	Elbow Connecting Sleeve - Nut	1
14	-	Handle	1
15	-	Sleeve	2
16	-	Base Plate	1

PART NUMBER	CODE	DESCRIPTION	QTY
17	10.30	Rubber foot mat	4
18	-	M6x20 Screw	2
19	-	M6x25 Screw	2
20	-	M6x12 Screw	6
21	-	M5x35 Screw	4
22	-	M5x50 Screw	2
23	-	M6 Spring Washer	4
24	-	M5 Spring Washer	6
25	-	M6 Flat Washer	8
26	10.4	Seal Washer	4
27	-	Nut	8
28	10.17	30mm O-Ring	2
29	10.18	Nipple	2
30	10.19	Coupling	2
31	-	32mm Hose Band	3
32	-	Strainer (Ø5mm)	1