

SWIMMING POOL PUMP

SPP SERIES



REEFE swimming pool pumps are designed for turning over pool water quickly and efficiently and are suitable for use to operate your pool filters and cleaners.

APPLICATIONS

- Circulating and filtering of water from swimming pools
- Water Transfer
- Aquaculture

FEATURES & BENEFITS

- Electrical Safety Approved
- Robust construction to ensure long service life
- Quality viton seal to prevent leaks
- High flows for fast turnover of pool water
- Inbuilt motor overload to ensure no motor burnout
- Commercial grade motor for continuous operation
- Convenient carry handle for ease of installation
- Easy access strainer basket for quick maintenance
- 12 month warranty when used in commercial applications
- Sized to retrofit other common brands

CONSTRUCTION

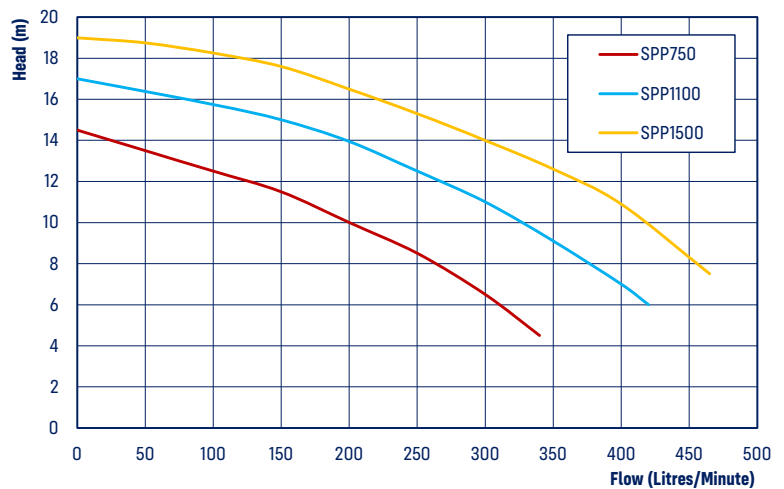
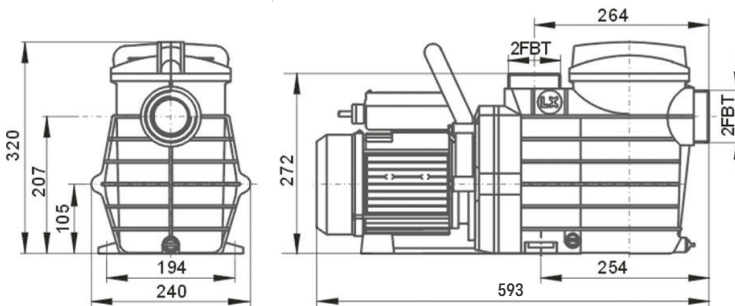
- Pump body in glass fibre and polypropylene
- Impeller and diffuser in noryl
- Shaft in stainless steel
- Mechanical seal graphite and ceramic / viton
- Motor housing in aluminium

MOTOR

- 2-pole induction motor
- Built-in T.I.USA thermal protection
- Continuously rated operation
- Ingress Protection IP55
- Insulation Class F

OPERATING LIMITS

- Max liquid temperature 50°C
- Max ambient temperature 50°C
- Max working pressure 3.0 bar
- Self-priming up to 2m



*12 month warranty for all applications other than domestic residences

CODE	MODEL	POWER 240V		MAXIMUM		CABLE LENGTH	INLET / OUTLET	WEIGHT (KG)	SIZE L X W X H (MM)
		HZ	KW	FLOW (L/MIN)	HEAD (m)				
16268	SPP750	50	0.75	340	14.5	1.5m	2" BSP / 2" BSP	13.5	593x240x320
16275	SPP1100	50	1.1	420	17	1.5m	2" BSP / 2" BSP	15.5	593x240x320
16282	SPP1500	50	1.5	465	19	1.5m	2" BSP / 2" BSP	17.5	593x240x320