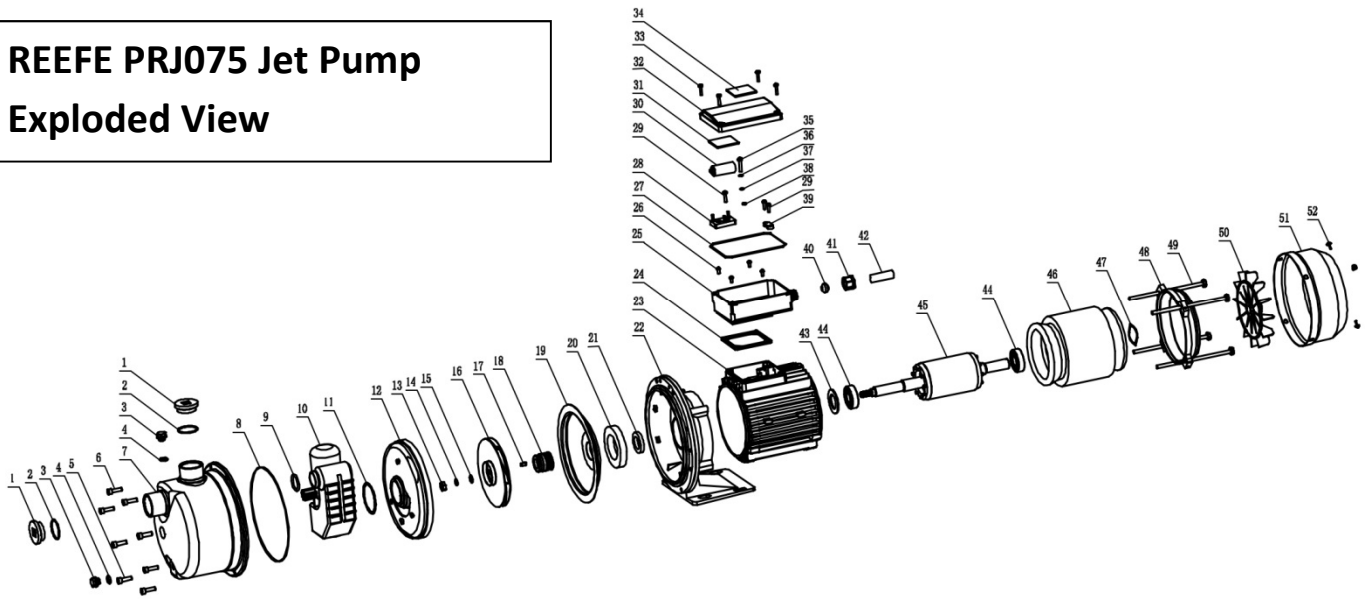


**REEFE PRJ075 Jet Pump  
Exploded View**



ITEM	NAME	SPEC	MATERIAL	QTY
1	Dust-proof cover		PP	2
2	Dust-proof		NBR	2
3	Bleeding plug	M10x1.2 3	SUS304	2
4	O-Ring		NBR	2
5	Hex Screw	M5x10	SUS304	6
6	Hex Screw	M5x18	SUS304	2
7	Pump Cover Section		SUS304	1
8	O-Ring	D160x4.5	NBR	1
9	O-Ring	D30x3.1	NBR	1
10	Injector		Ppo	1
11	Seal pad		NBR	1
12	Guide vane		Ppo	1
13	Hex Nut	M8	SUS304	1
14	Spring Spacer	8	SUS304	1
15	Flat Spacer	8	SUS304	1
16	Impeller		SUS304	1
17	Key	C4x12	SUS304	1
18	Mechanical Seal	301-15P	Carbon/Cerm aic/NBR	1
19	Pump Cover		SUS304	1
20	Silent Block		NBR	1
21	Water-proof Ring		Rubber	1
22	Front Flange		ADC3	1
23	Motor Housing			1
24	Terminal Box pad		NBR	1
25	Wiring Box		Flame resistant ABS	1
26	Screw	M4x8	Zinc Plating	4

ITEM	NAME	SPEC	MATERIAL	QTY
27	O-Ring	d120x2	NBR	1
28	Wiring terminal		Melamine	1
29	Screw	ST3.5x13	Zinc Plating	3
30	Capacitor	20uF/450V (40x63)		1
31	Wiring diagram		Sticker	1
32	Wiring box cover		Flame resistant ABS	1
33	Screw	ST3.5x16	Zinc Plating	4
34	Nameplate			1
35	Screw	M5x10	SUS304	1
36	Spring Spacer	5	SUS304	1
37	Pad	5	SUS304	1
38	Pad	5	SUS304	1
39	Clamp		Flame resistant ABS	1
40	Wiring box plug		NBR	1
41	Terminal box plug		Flame resistant ABS	1
42	Cable	310mm <sup>2</sup>		1
43	Gum mat		NBR	1
44	Bearing	6202-2RS		2
45	Rotor			1
46	Stator			1
47	Wave Spacer	35		1
48	Back Flange		ADC3	1
49	Nipple	M5x142	Zinc Plating	4
50	Fan impeller		PP	1
51	Fan cover		08F	1
52	Screw	M4x8	SUS304	1

Address 37 Export Street LYTTON QUEENSLAND 4170 PO Box 650 MORNINGSID E QLD 4170

Phone 1800 807 604 Fax 1800 807 609

Email [sales@reefe.com.au](mailto:sales@reefe.com.au) Web [www.reefe.com.au](http://www.reefe.com.au)