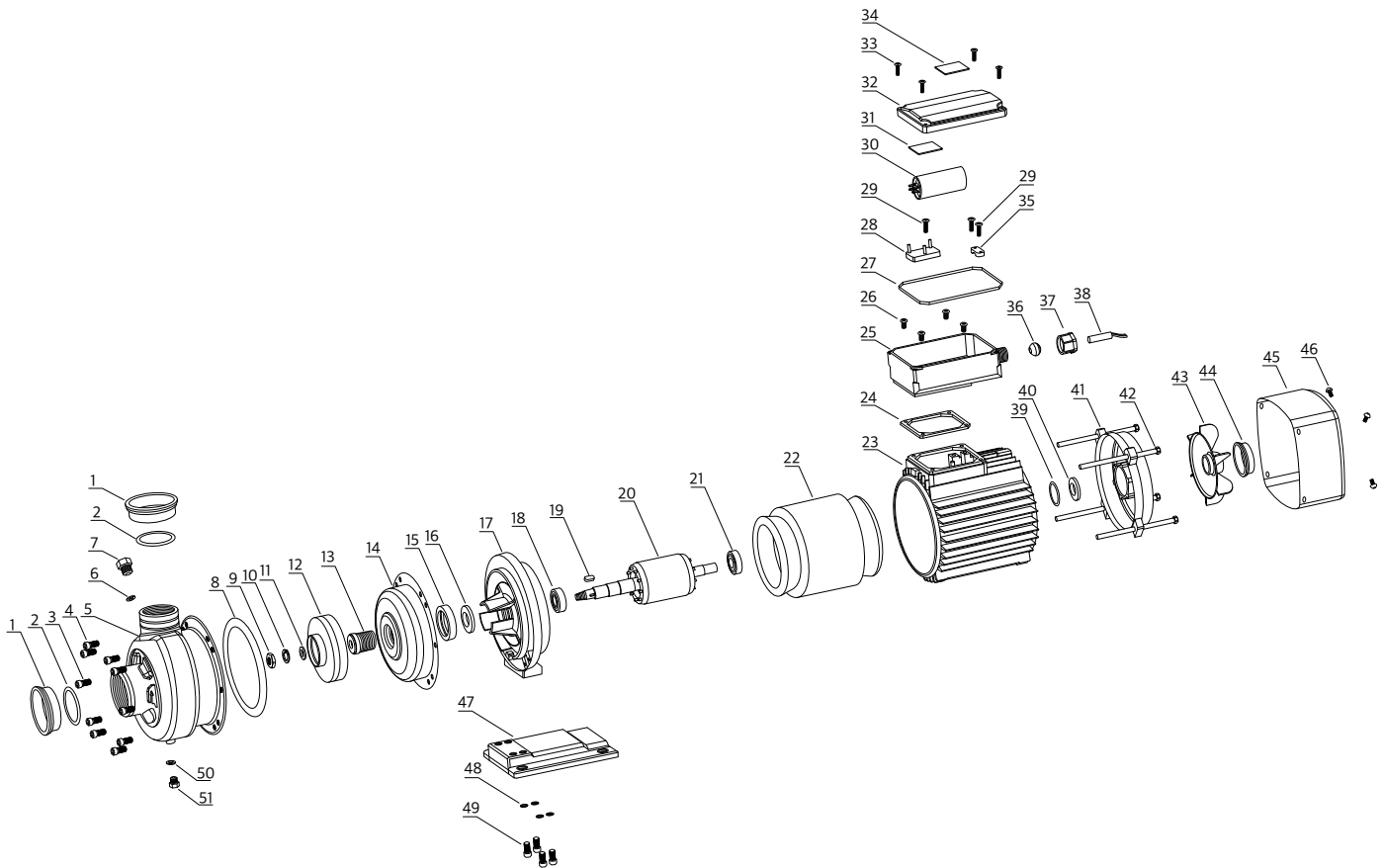


RSSC037 Stainless Steel Centrifugal Pump



RSSC037

Stainless Steel Centrifugal Pump

No.	Name	Material
1	Dust Cap	PP
2	O-Ring	NBR
3	Bolt	SUS304
4	Bolt	SUS304
5	Housing Front	SUS304
6	O-Ring	Fluorine Rubber
7	Air Bleed	SUS304
8	O-Ring	Fluorine Rubber
9	Nut	SUS304
10	Washer	SUS304
11	Spring Washer	SUS304
12	Impeller	SUS304
13	Mechanical Seal	Carbon/Ceramic/NBR
14	Pump Housing Rear	SUS304
15	Oil Seal	NBR
16	Washer	EPDM
17	Front Flange	ADC12
18	Bearing	NSK
19	Key	SUS304
20	Rotor Assembly	
21	Bearing	NSK
22	Stator Assembly	
23	Motor Base	ADC12
24	Terminal Box Pad	NBR
25	Terminal Box	ABS Flame Resistant ABS
26	Screw	Zinc Plated Steel
27	O-Ring	NBR

No.	Name	Material
28	Connection Pole	Melamine +A3
29	Screw	Plated Steel
30	Capacitor	
31	Wiring Diagram	Sticker
32	Terminal Box Cover	Flame Resistant ABS
33	Screw	SUS201
34	Name Plate	Sticker
35	Cable Clamp	Flame Resistant ABS
36	Cable Gland Olive	NBR
37	Cable Gland Nut	ABS
38	CABLE	
39	Wave Washer	65Mn
40	Oil Seal	NBR
41	Back Cover	ADC12
42	Bolt	Plated Steel
43	Fan	PP
44	Fan Ring	A3
45	Fan Cover	ABS+PC
46	Screw	AUS304
47	Base	HT200
48	Spring Pad	Plated Steel
49	Bolt	Plated Steel
50	O-Ring	Fluorine rubber
51	Drain Plug	SUS304