



PUMPS AUSTRALIA

BETTER • FASTER • EASIER



VORTEX SUBMERSIBLE PUMP

TECHNICAL DATA

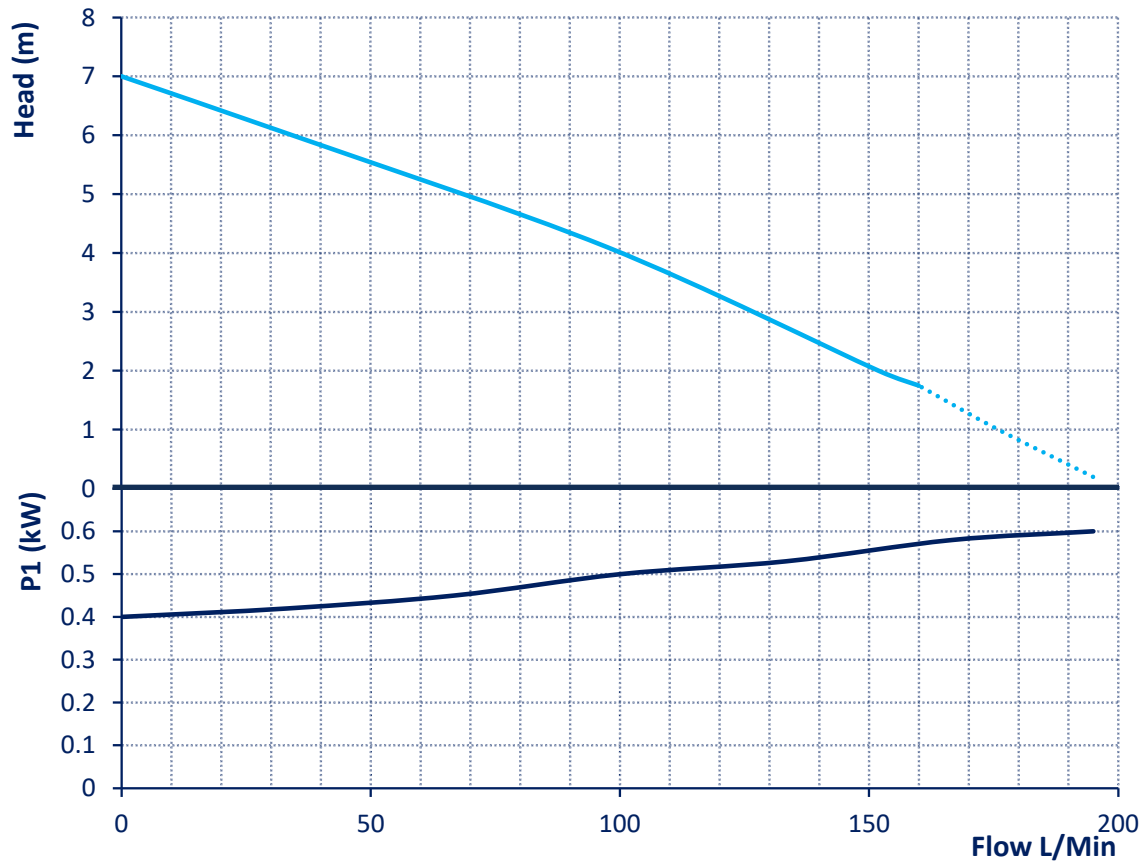
MODEL: RVE160
CODE: 20685

MAX HEAD 7M
MAX FLOW 160L/min
MOTOR POWER 650W
DISCHARGE 32mm



CHARACTERISTIC CURVE & PERFORMANCE DATA

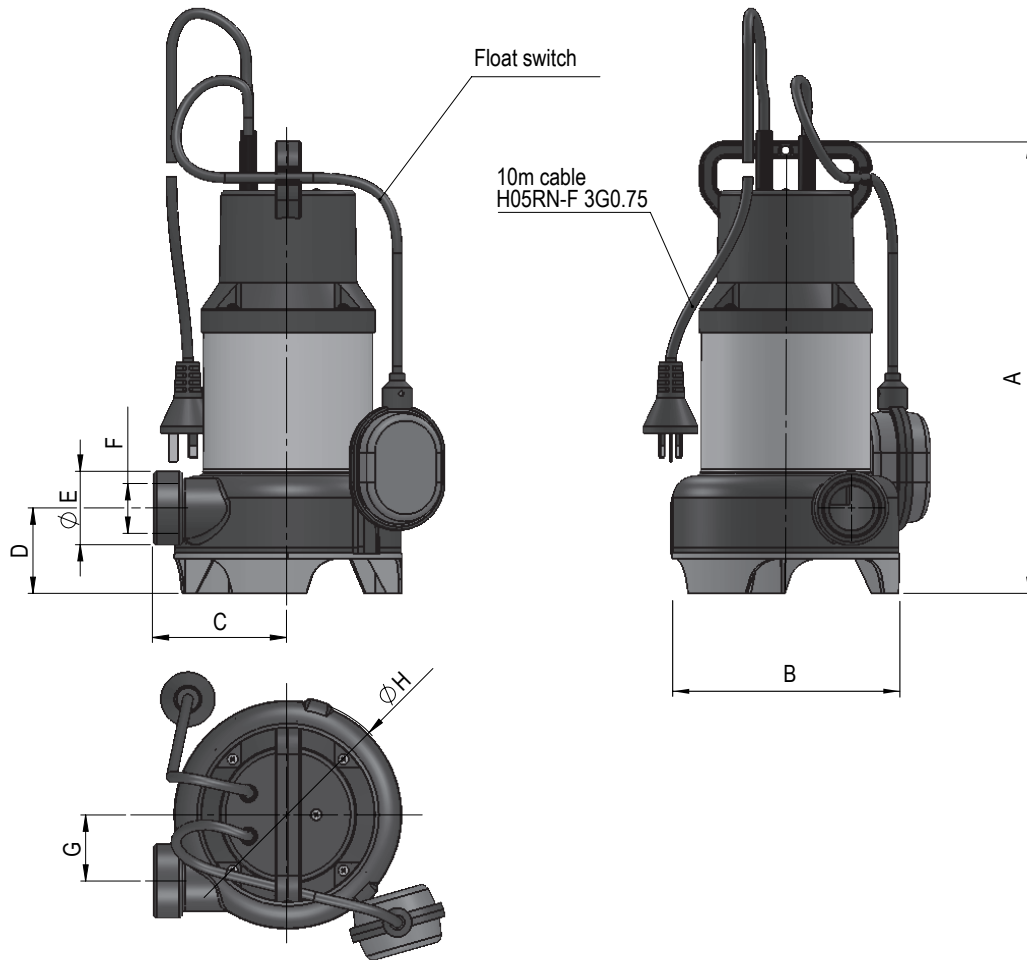
VORTEX SUMP PUMP RVE160



TYPE	Nominal Power (P2)		Input Power (P1)	Input Current (A)
	W	HP	W	240V
RVE160	650	0.9	500	2.8

L/MIN	0	50	100	150	200	250
HEAD (M)	7	5.8	4	2	0.2	0

DIMENSIONS & WEIGHT



VORTEX SUMP PUMP RVE160

MODEL	DIMENSIONS (MM)								PACKING (MM)			WEIGHT (KG)
	A	B	C	D	E	F	G	H	L	W	H	
RVE160	320	160	95	60	Ø52	1¼"	47	Ø168	160	190	325	5