



PUMPS AUSTRALIA

BETTER • FASTER • EASIER



## VORTEX SUBMERSIBLE PUMP

### TECHNICAL DATA

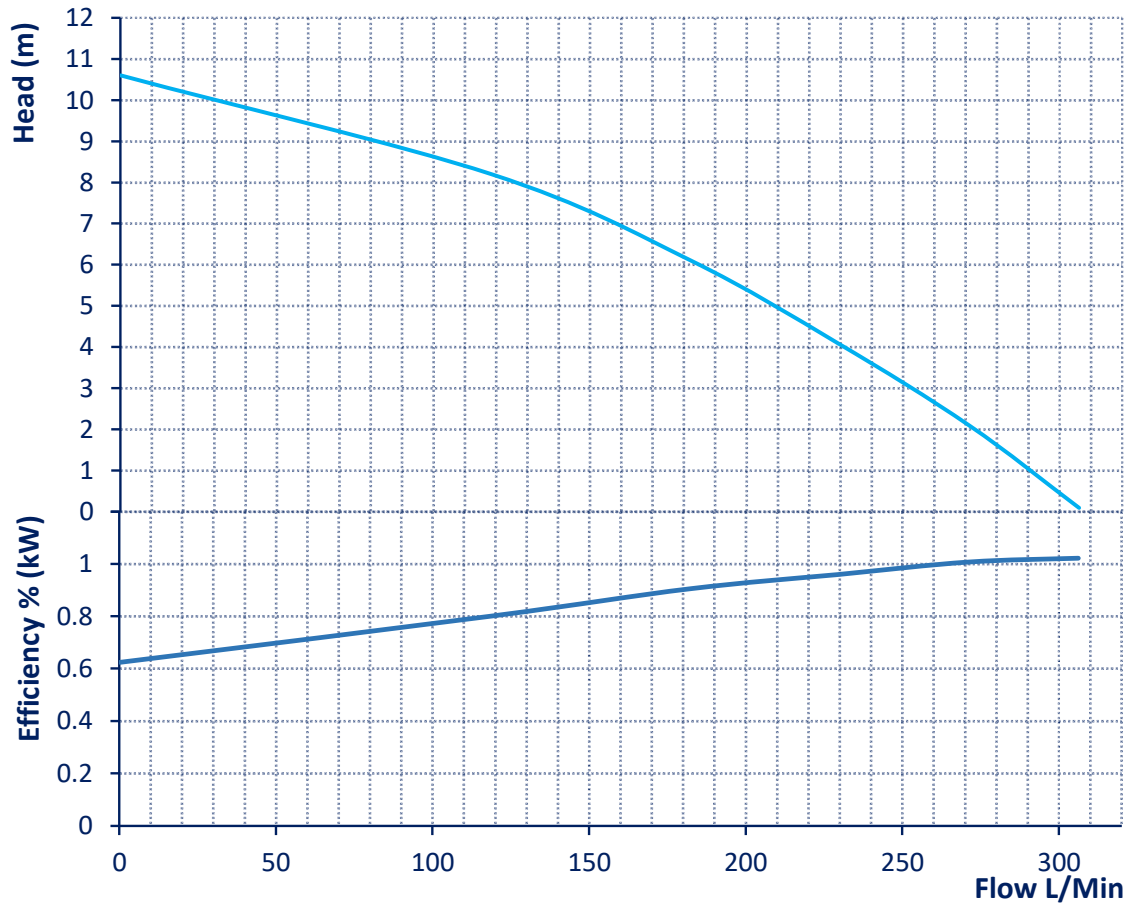
**MODEL:** RVE300  
**CODE:** 20708

**MAX HEAD** 10.6M  
**MAX FLOW** 306L/Min  
**MOTOR POWER** 1023W  
**DISCHARGE** 32mm



# CHARACTERISTIC CURVE & PERFORMANCE DATA

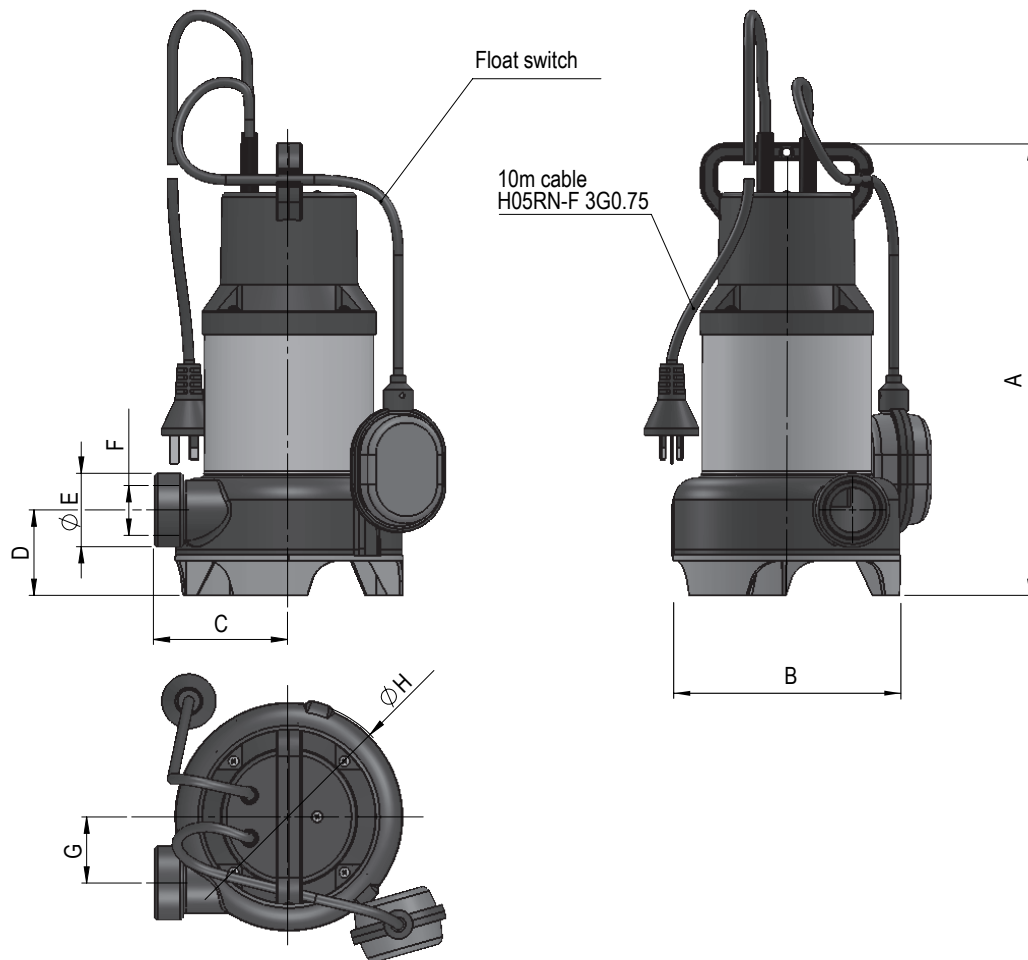
VORTEX SUMP PUMP RVE300



TYPE	Nominal Power (P2)		Input Power (P1)	Input Current (A)
	W	HP	W	240V
RVE300	600	1.1	1023	4.4

<b>L/MIN</b>	0	50	100	150	200	250	300
<b>HEAD (M)</b>	10.6	9.5	8.7	7.2	5.5	3.2	0.3

# DIMENSIONS & WEIGHT



VORTEX SUMP PUMP RVE300

MODEL	DIMENSIONS (MM)								PACKING (MM)			WEIGHT (KG)
	A	B	C	D	E	F	G	H	L	W	H	
RVE300	320	160	95	60	Ø52	1¼"	47	Ø168	160	190	325	5