



PUMPS AUSTRALIA

BETTER • FASTER • EASIER



# VORTEX SUBMERSIBLE PUMP WITH VERTICAL FLOAT

## TECHNICAL DATA

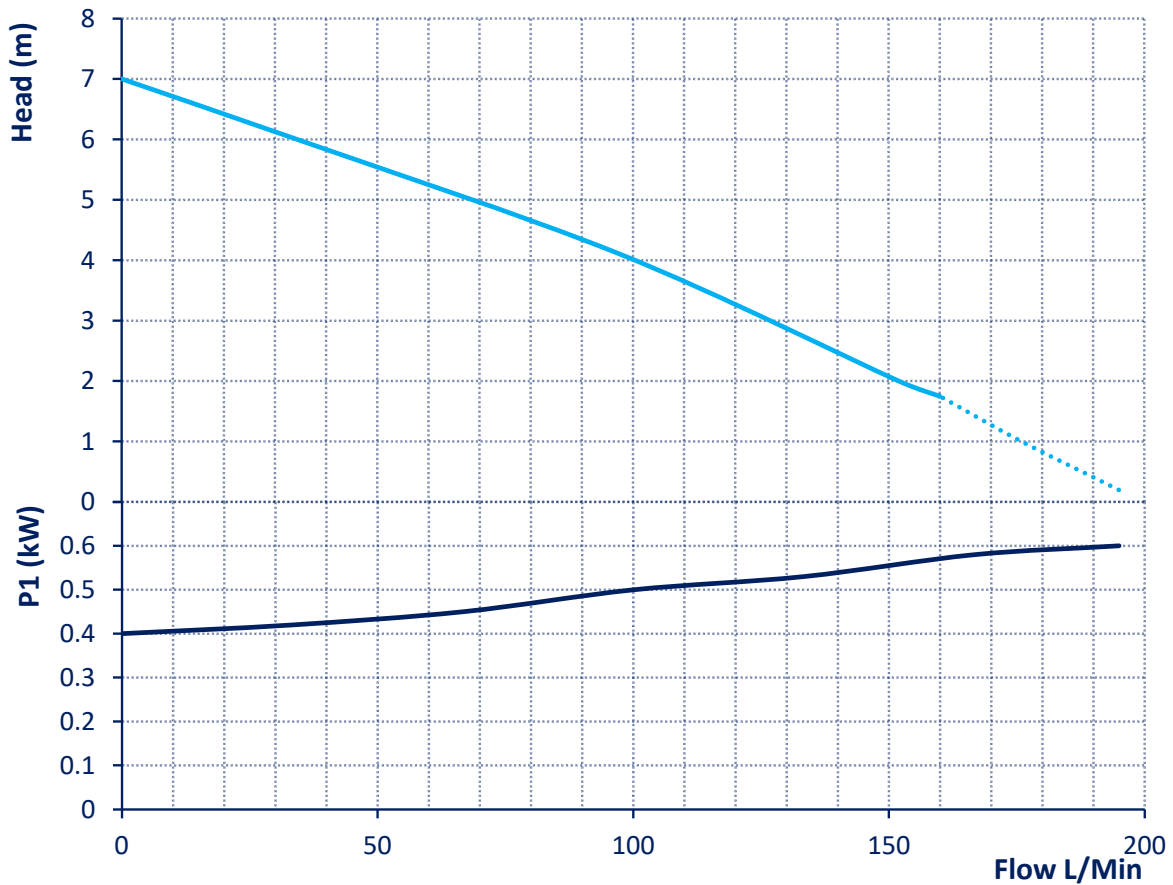
**MODEL:** RVE160VF  
**CODE:** 21040

**MAX HEAD** 7M  
**MAX FLOW** 160L/min  
**MOTOR POWER** 650W  
**DISCHARGE SIZE** 32mm



# CHARACTERISTIC CURVE & PERFORMANCE DATA

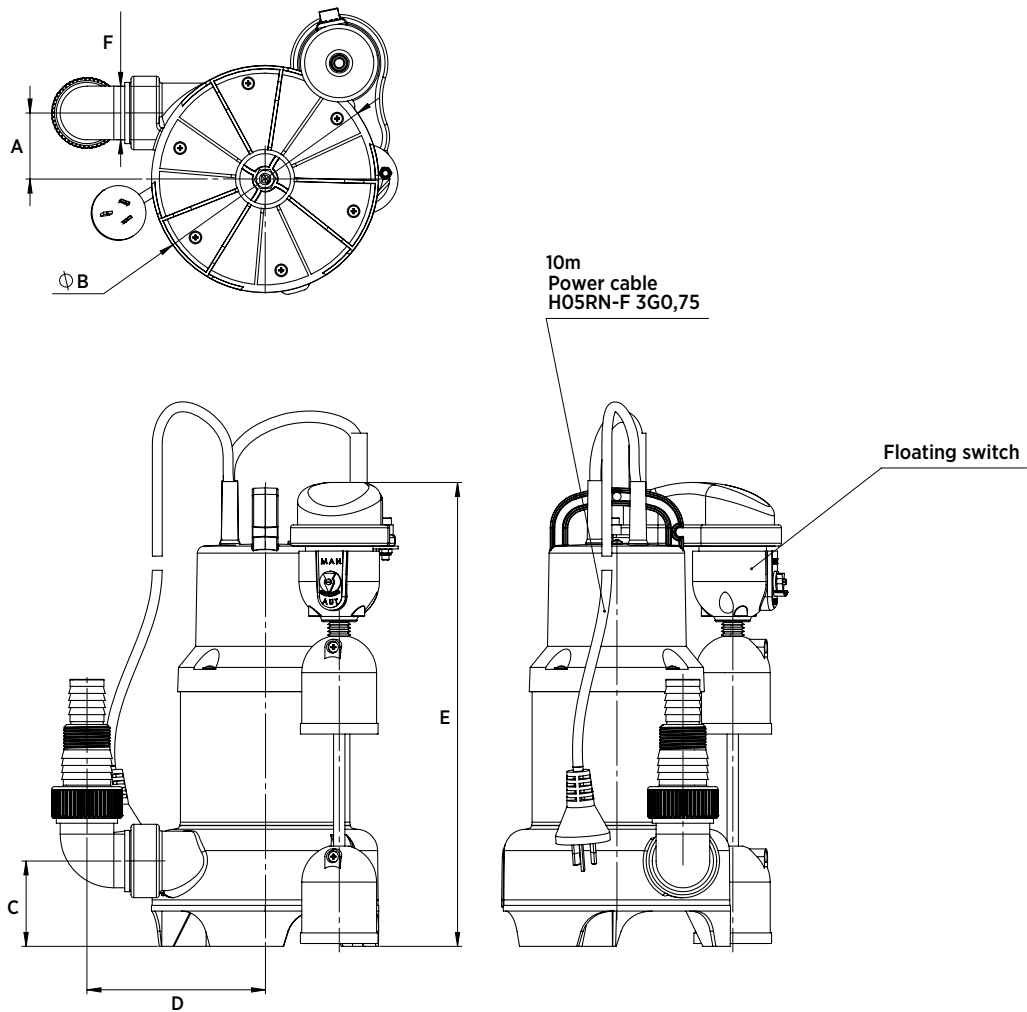
VORTEX SUMP PUMP RVE160VF



TYPE	Nominal Power (P2)		Input Power (P1)	Input Current (A)
	W	HP	W	240V
RVE160VF	500	0.9	650	2.8

L/MIN	0	50	100	150	200	250
HEAD (M)	7	5.8	4	2	0.2	0

# DIMENSIONS & WEIGHT



VORTEX SUMP PUMP RVE160VF

MODEL	DIMENSIONS (MM)						PACKING (MM)			WEIGHT (KG)
	A	B	C	D	E	F	L	W	H	
RVE160VF	47	160	60	125	330	1¼"	200	250	330	5