



PUMPS AUSTRALIA

BETTER • FASTER • EASIER



# VORTEX SUMBERSIBLE PUMP WITH VERTICAL FLOAT

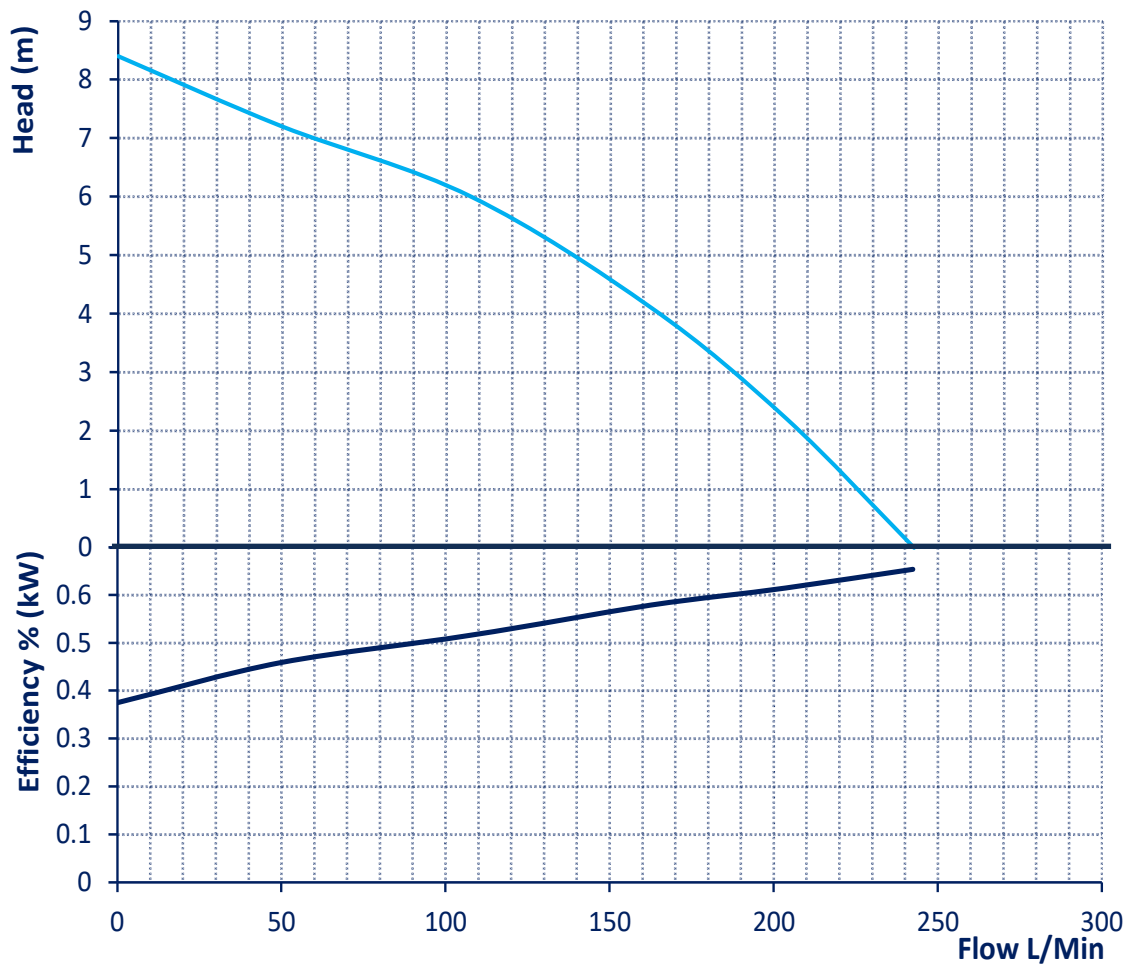
## TECHNICAL DATA

**MODEL:** RVE230VF  
**CODE:** 21057

**MAX HEAD** 8.4M  
**MAX FLOW** 230L/min  
**MOTOR POWER** 650W  
**DISCHARGE SIZE** 32mm



# CHARACTERISTIC CURVE & PERFORMANCE DATA



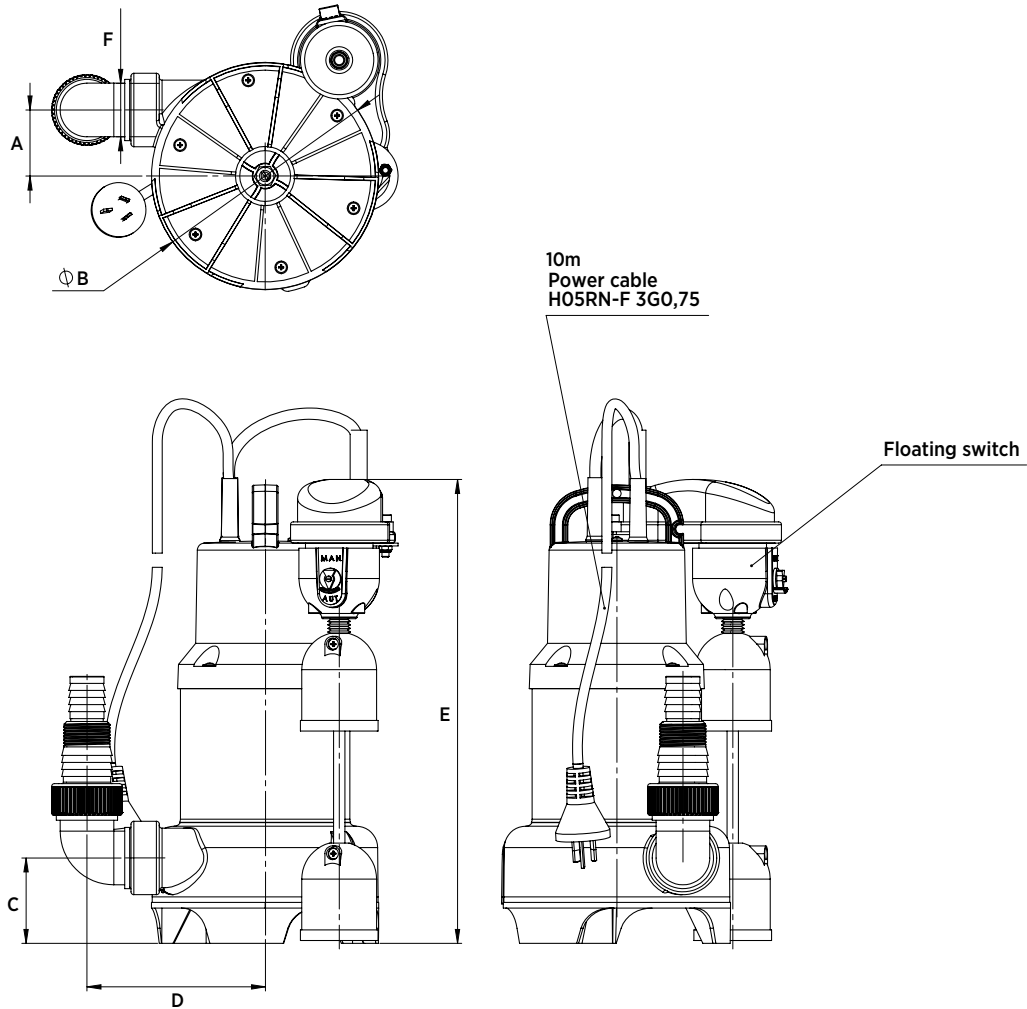
VORTEX SUMP PUMP RVE230VF

TYPE	Nominal Power (P2)		Input Power (P1)	Input Current (A)
	W	HP	W	240V
Single Phase RVE230VF	600	0.87	650	2.9

L/MIN	0	50	100	150	200	250
HEAD (M)	8.4	7.2	6.2	4.5	2	0

# DIMENSIONS & WEIGHT



VORTEX SUMP PUMP RVE230VF

MODEL	DIMENSIONS (MM)						PACKING (MM)			WEIGHT (KG)
	A	B	C	D	E	F	L	W	H	
RVE230VF	47	160	60	125	330	1¼"	200	250	330	5