



PUMPS AUSTRALIA

BETTER • FASTER • EASIER



INDUSTRIAL CUTTER PUMP

TECHNICAL DATA

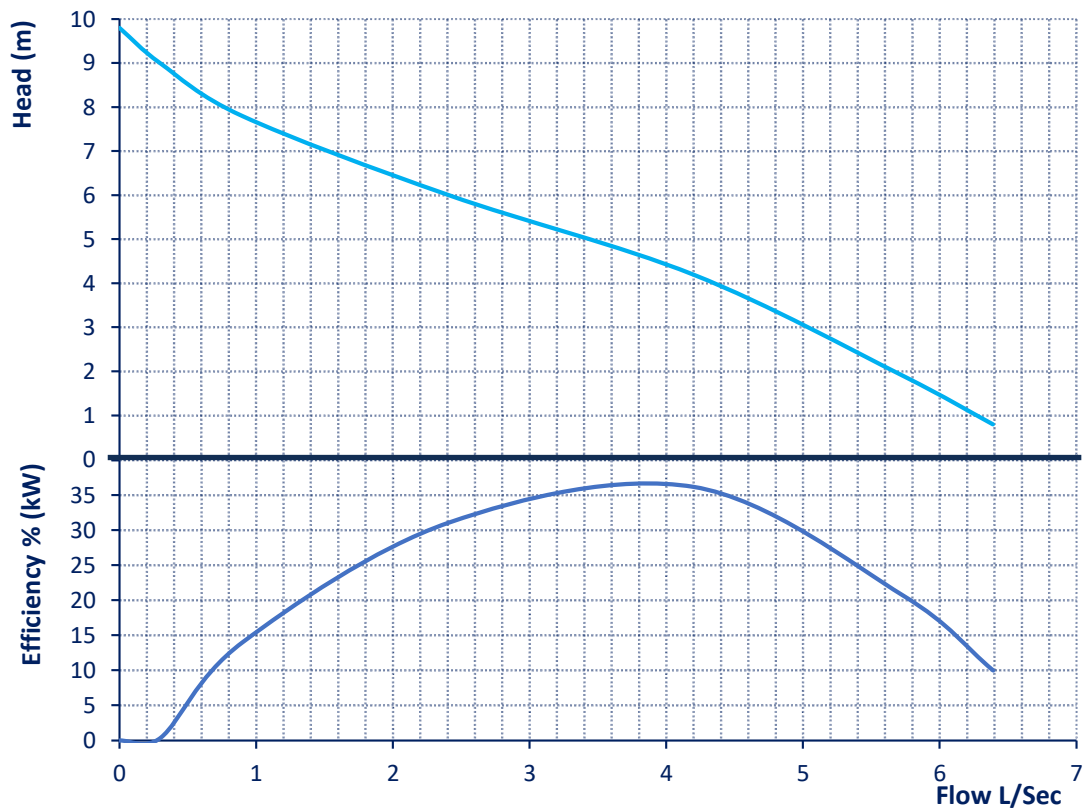
MODEL: RCE90
CODE: 21293

MAX HEAD 9.8M
MAX FLOW 6.39L/SEC
MOTOR POWER 880W
DISCHARGE 38mm



CHARACTERISTIC CURVE & PERFORMANCE DATA

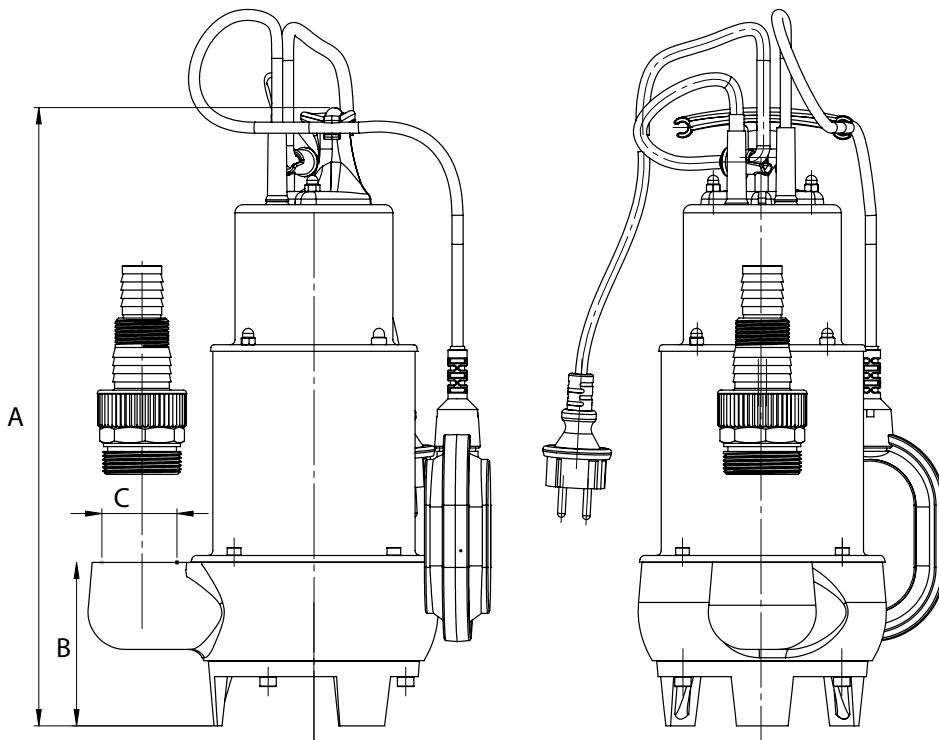
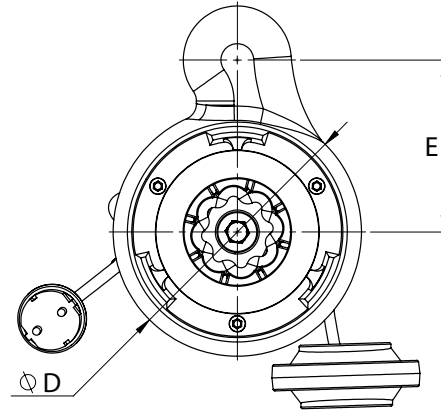
CUTTER PUMP RCE90



TYPE	Nominal Power (P2)		Input Power (P1)	Input Current (A)
	W	HP	W	240V
RCE90	527	0.7	880	3.8

L/SEC	0	1	2	3	4	5	6
HEAD (M)	9.8	7.9	6.3	5.4	4.3	3	1.5

DIMENSIONS & WEIGHT



CUTTER PUMP RCE90

MODEL	DIMENSIONS (MM)					PACKING (MM)			WEIGHT (KG)
	A	B	C	DØ	E	L	W	H	
RCE90	376	100	6/4"	152	105	220	190	450	11