



PUMPS AUSTRALIA

BETTER • FASTER • EASIER



## VORTEX SUBMERSIBLE PUMP

### TECHNICAL DATA

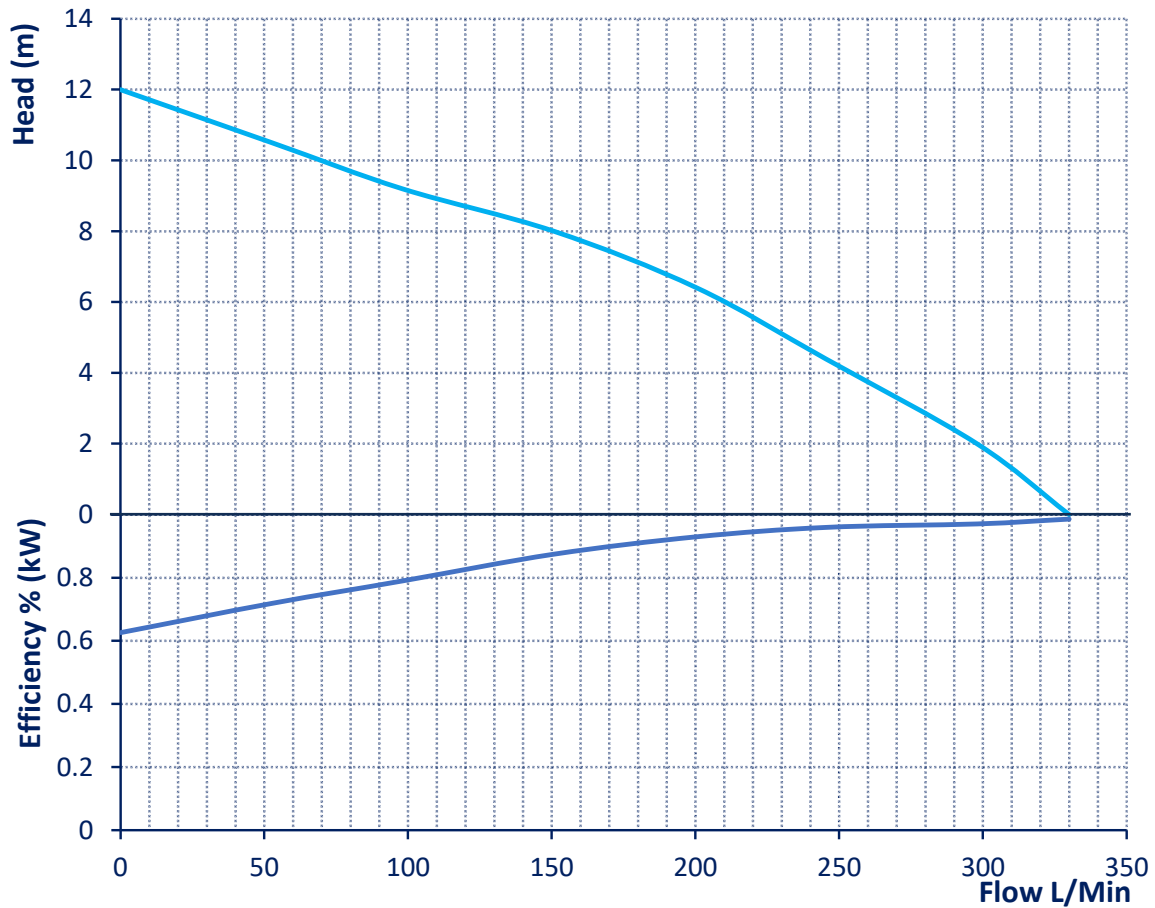
**MODEL: RVC320**  
**CODE: 22283**

**MAX HEAD 12M**  
**MAX FLOW 330L/MIN**  
**MOTOR POWER 1000W**  
**DISCHARGE 50mm**



# CHARACTERISTIC CURVE & PERFORMANCE DATA

VORTEX SUMP PUMP RVC320



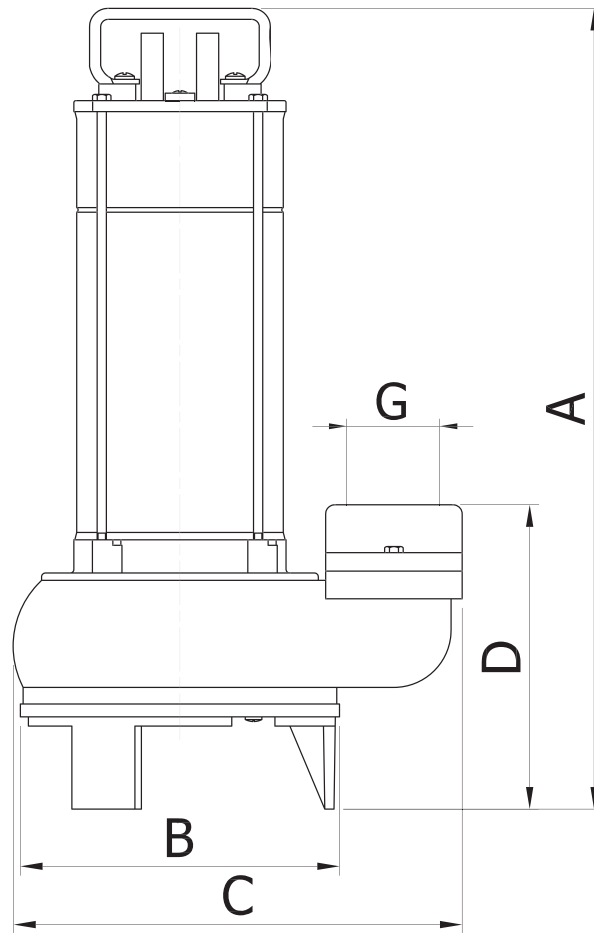
TYPE	Nominal Power (P2)		Input Power (P1)	Input Current (A)
	W	HP	W	240V
RVC320	780	1	1000	4.3

L/MIN	0	50	100	150	200	250	300
HEAD (M)	12	10.5	9.2	8	6.2	4	2

# DIMENSIONS & WEIGHT

VORTEX SUMP PUMP RVC320



MODEL	DIMENSIONS (MM)					PACKING (MM)			WEIGHT (KG)
	A	B	C	D	G	L	W	H	
RVC320	435	170	241	165	2"	250	180	450	16