



PUMPS AUSTRALIA

BETTER • FASTER • EASIER



SHALLOW WELL JET PUMP

WITH PRESSURE TANK, SWITCH & GAUGE

TECHNICAL DATA

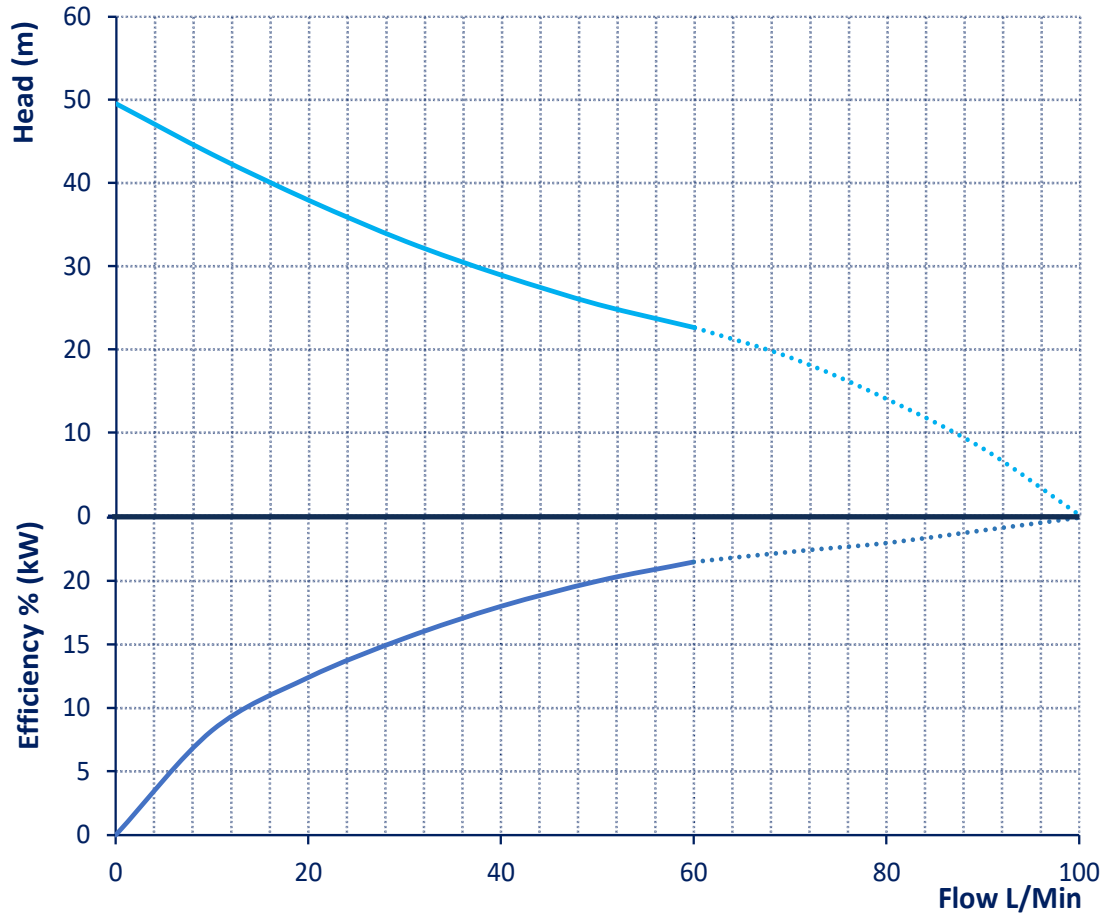
MODEL: RSWE60
CODE: 8317.2PTS

MAX HEAD 49.5M
MAX FLOW 60L/MIN
MOTOR POWER 1040W
DISCHARGE 25MM



CHARACTERISTIC CURVE & PERFORMANCE DATA

SHALLOW WELL JET PUMP RSWE60



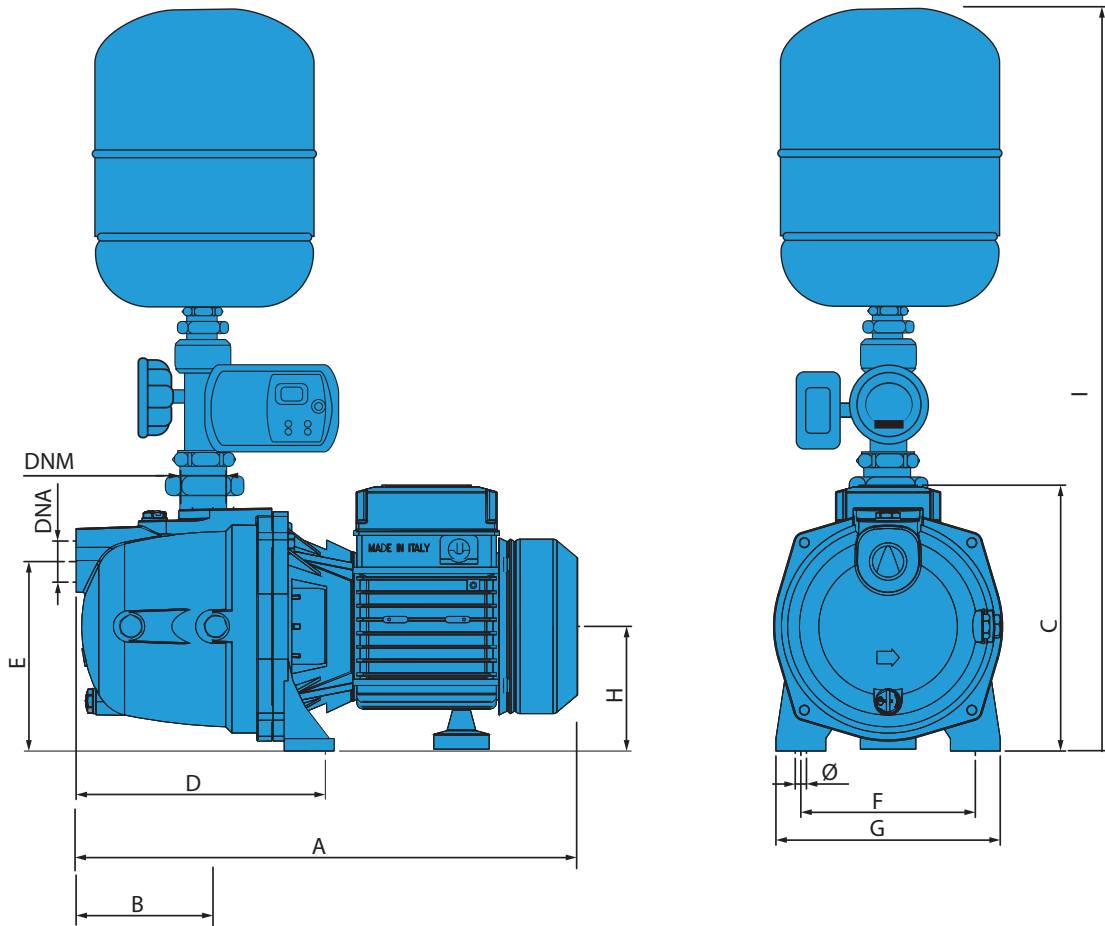
TYPE	Nominal Power (P2)		Input Power (P1)	Input Current (A)
	W	HP	W	
Single Phase RSWE60	740	1	1040	240V 4.8

L/MIN	0	10	20	30	40	50	60	70	80	90	100
HEAD (M)	49.5	43.4	37.9	33	28.9	25.4	22.6	19	14	8	0
EFFICIENCY %	0	8.2	12.4	15.5	18	20	21.5	22.3	23	24	25

NOTE: Efficiency Percentage (%) refers to the percentage of power consumed by the motor during operation. This calculation is taken from the P1 Power.

Ascento Group reserves the right to make changes without prior notice

DIMENSIONS & WEIGHT



SHALLOW WELL JET PUMP RSWE60

MODEL	DIMENSIONS (MM)											PACKING (MM)			WEIGHT (KG)	
	A	B	C	D	E	F	G	Ø	H	I	DNA	DNM	L	W		H
RSWE60	420	122	210	225	160	140	180	9	95	650	1"	1"	250	190	700	16

*Pressure tank comes individually packed