



PUMPS AUSTRALIA

BETTER • FASTER • EASIER



SHALLOW WELL JET PUMP

WITH PRESSURE CONTROLLER

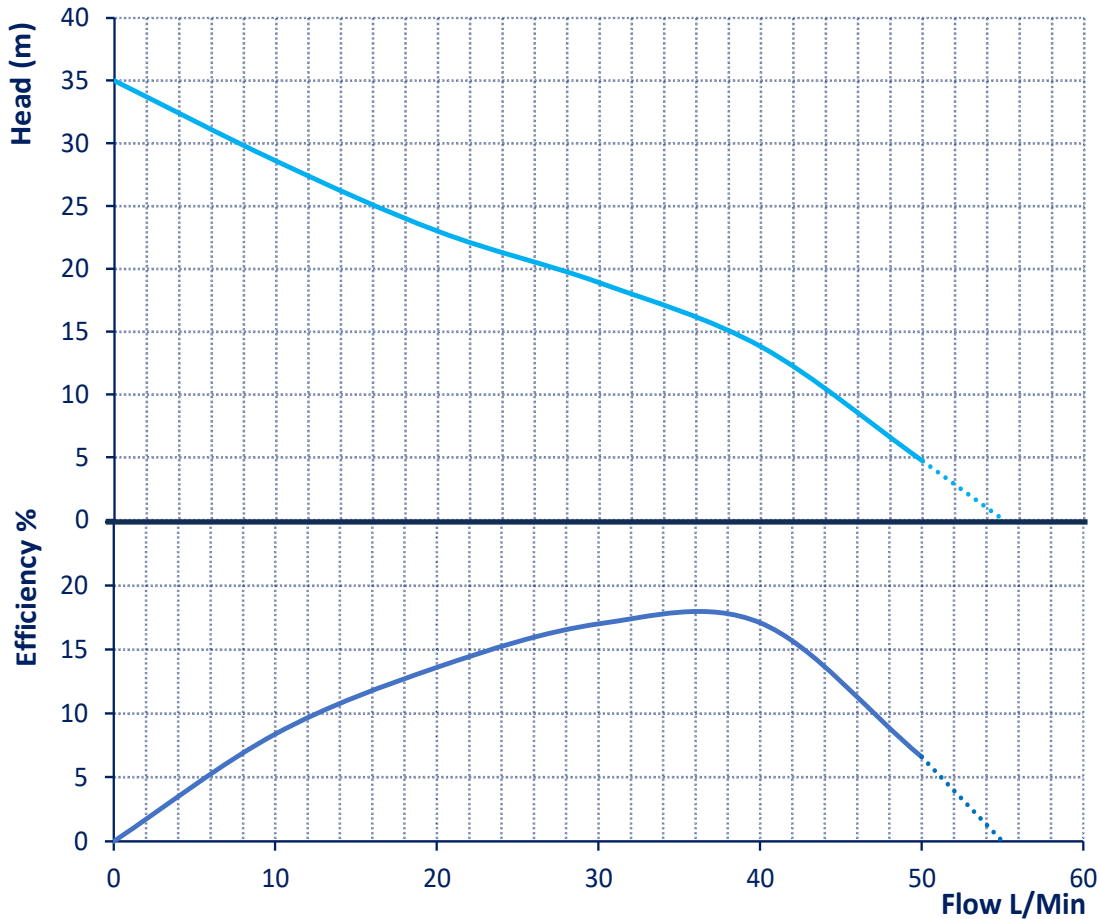
TECHNICAL DATA

MODEL: RSWE40
CODE: 22139.PC

MAX HEAD 35M
MAX FLOW 50L/MIN
MOTOR POWER 600W
DISCHARGE 25MM



CHARACTERISTIC CURVE & PERFORMANCE DATA



SHALLOW WELL JET PUMP RSWE40

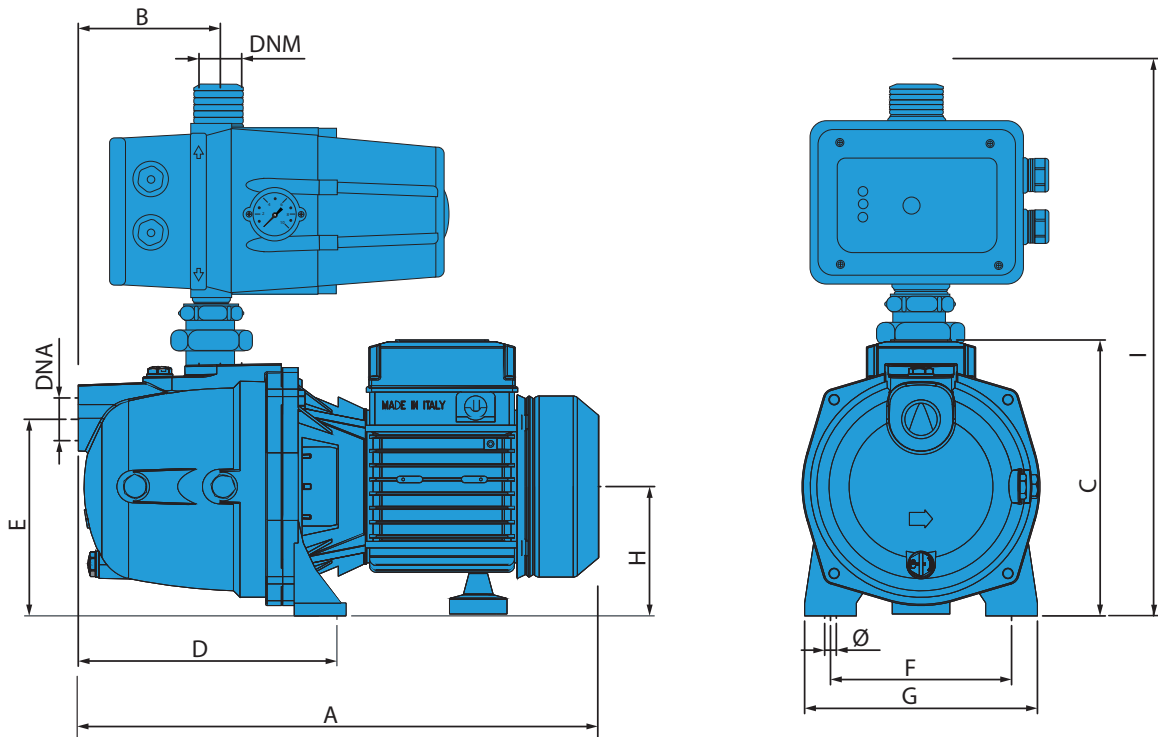
TYPE	Nominal Power (P2)		Input Power (P1)	Input Current (A)
	W	HP	W	240V
RSWE40	440	0.6	600	2.6

L/MIN	0	10	20	30	40	50
HEAD (M)	35	28.6	22.3	18.9	13.8	4.7
EFFICIENCY (%)	0	8.4	13.6	16.1	17.1	6.6

NOTE: Efficiency Percentage (%) refers to the percentage of power consumed by the motor during operation. This calculation is taken from the P1 Power.

Ascento Group reserves the right to make changes without prior notice

DIMENSIONS & WEIGHT



SHALLOW WELL JET PUMP RSWE40

MODEL	DIMENSIONS (MM)											PACKING (MM)			WEIGHT (KG)	
	A	B	C	D	E	F	G	Ø	H	I	DNA	DNM	L	W		H
RSWE40	380	110	195	195	155	140	180	9	95	395	1"	1"	250	190	440	12