



PUMPS AUSTRALIA

BETTER • FASTER • EASIER



DOMESTIC SUBMERSIBLE PUMP

TECHNICAL DATA

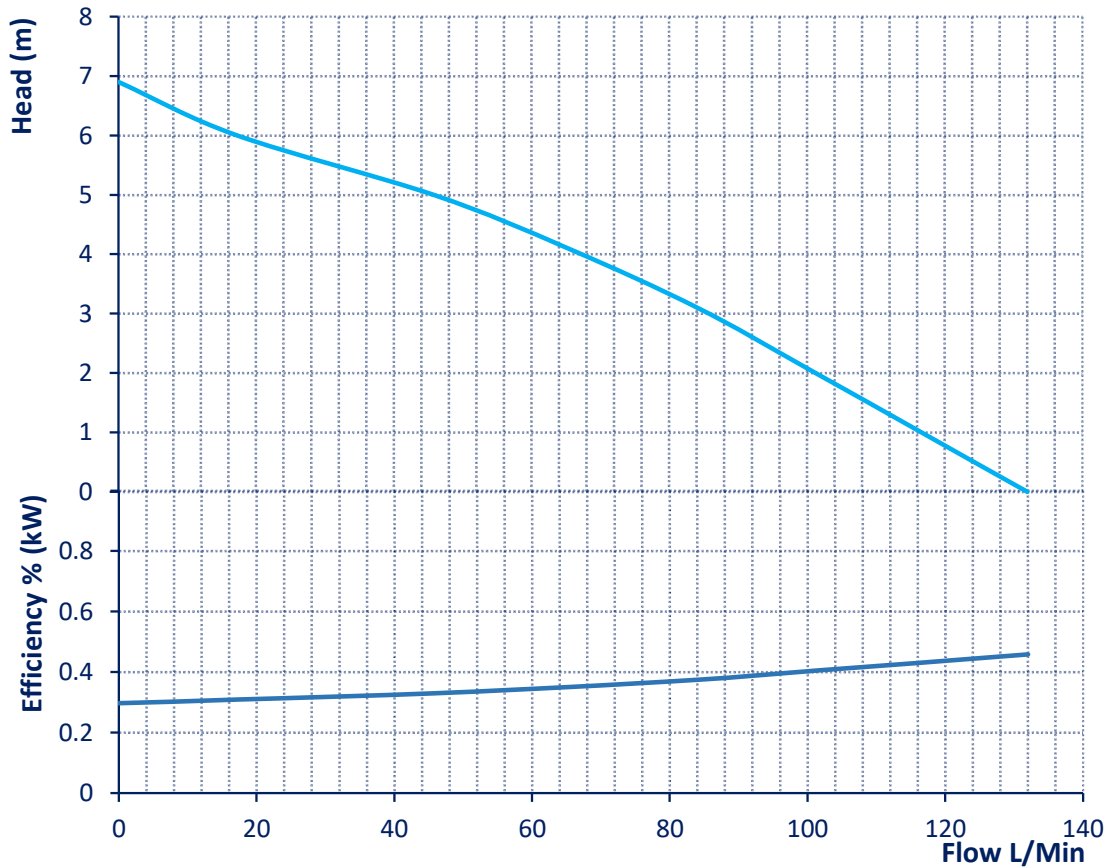
MODEL: RDS130
CODE: 21347

MAX HEAD 6.9M
MAX FLOW 132L/Min
MOTOR POWER 460W
DISCHARGE 32mm



CHARACTERISTIC CURVE & PERFORMANCE DATA

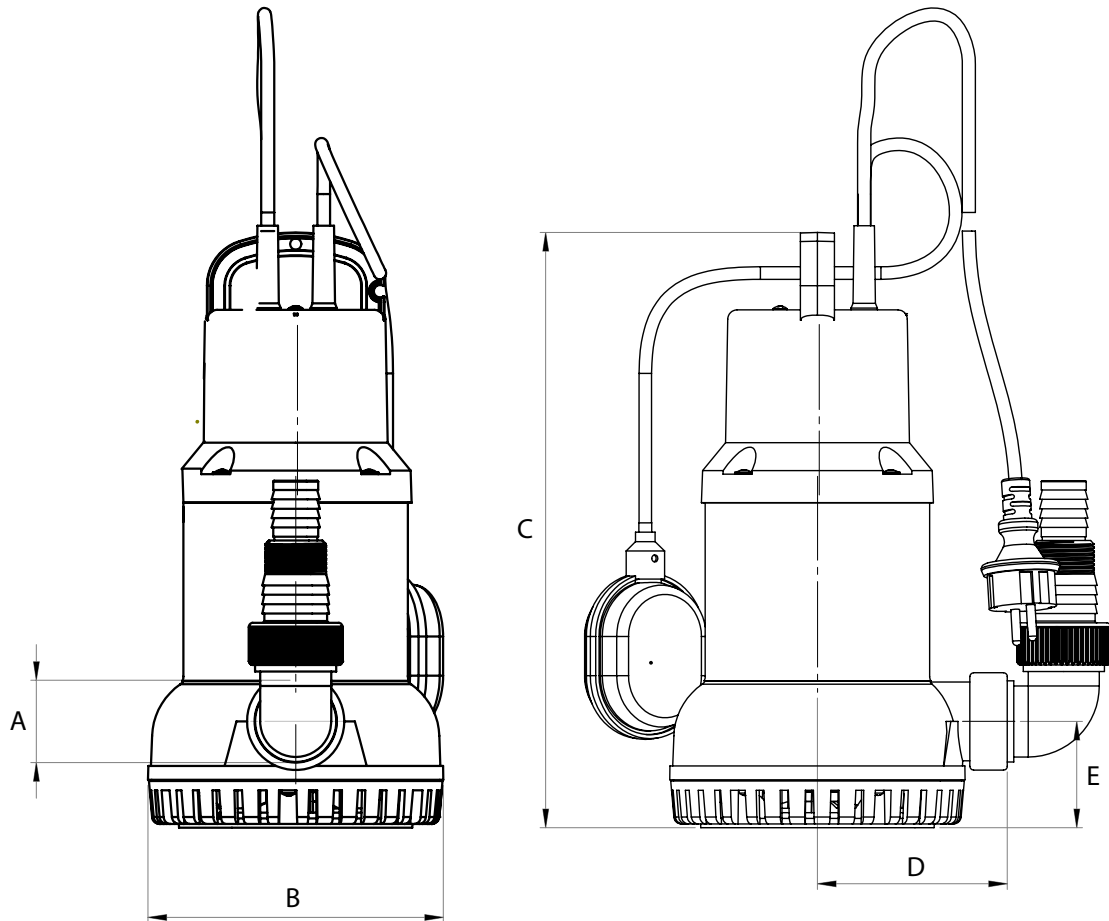
DOMESTIC SUMP PUMP RDS130



TYPE	Nominal Power (P2)		Input Power (P1)		Input Current (A)	
	W	HP	W	240V		
Single Phase RDS130	445	0.6	460	1.9		

L/MIN	0	20	40	60	80	100	120	130
HEAD (M)	6.9	5.9	5.2	4.3	3.2	2	0.9	0

DIMENSIONS & WEIGHT



DOMESTIC SUMP PUMP RDS130

MODEL	DIMENSIONS (MM)					PACKING (MM)			WEIGHT (KG)
	A	BØ	C	D	E	L	W	H	
RDS130	5/4"	160	318	101.5	57	160	190	325	5