



PUMPS AUSTRALIA

BETTER • FASTER • EASIER



VARIABLE SPEED DRIVE

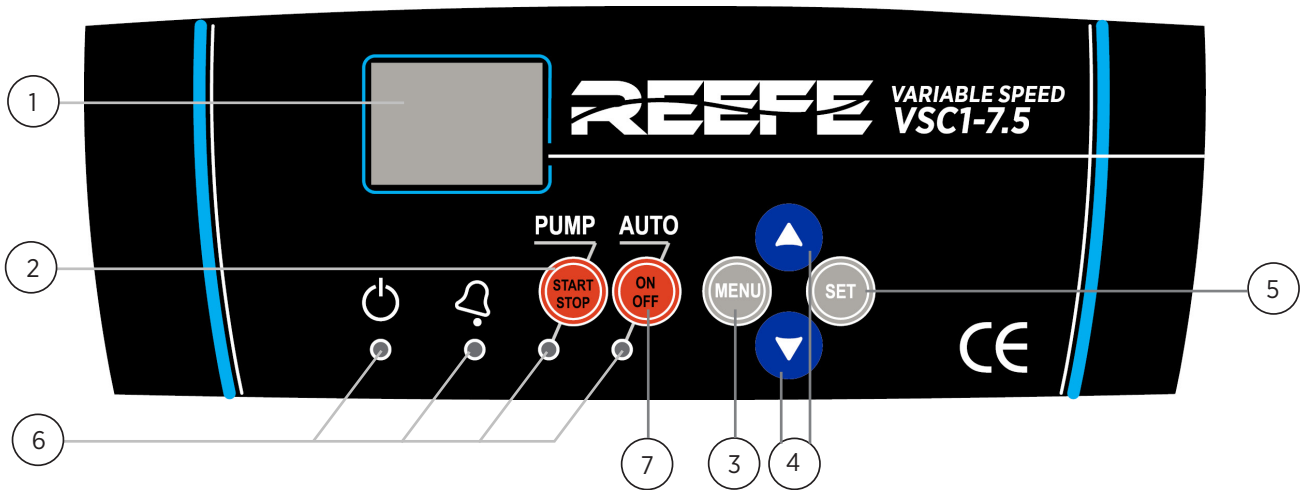
TECHNICAL DATA

MODEL: VSC1-7.5
CODE: 21897

MAX FLOW 15000L/Hr
VOLT 240V
PUMP AMPS 7.5A
OUTLET 1" BSP/25mm



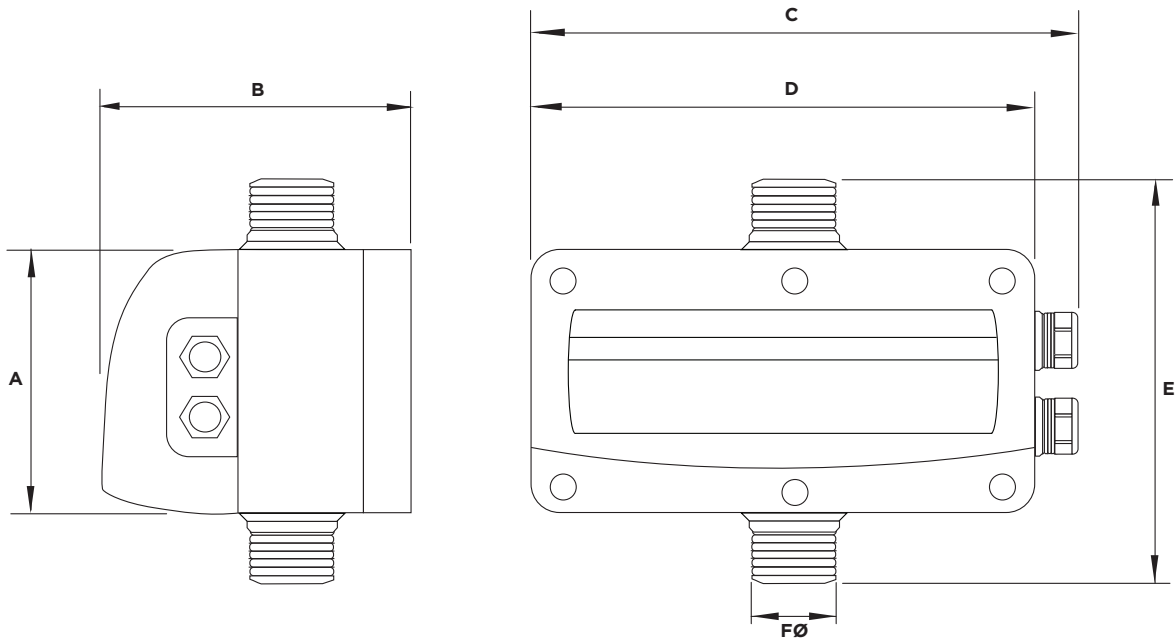
CONTROL PANEL GUIDE



POSITION CONTROL

- | | |
|---|--------------------------------------------------------------------------------------------------------------------------------------------------------------------------------------------------------------|
| 1 | 2-Digit Display, In AUTOMATIC mode it shows instantaneous pressure (bar), instantaneous current consumptions (A) and minimum speed (Hz) |
| 2 | MANUAL START-STOP pushbutton. It allows to start and stop manually the pump. |
| 3 | Pushbutton MENU for enter or quit the menu. |
| 4 | Increase or decrease programming values shown in the screen. |
| 5 | SET for saving programmed values. Every pulsation is succeeded by a new field of the CONFIGURATION MENU. To quit the configuration sequence press MENU (3) |
| 6 | LED Lights <hr/> Line (green): Electric supply, pump connected <hr/> Failure (red): Bright or flashing depending on type of failure <hr/> Pump (yellow): Pump Working <hr/> Automatic(green): Automatic mode |
| 7 | ON/OFF Switch between Automatic-Manual |

DIMENSIONS & WEIGHT



VARIABLE SPEED DRIVE

MODEL	DIMENSIONS (MM)						PACKING (MM)			WEIGHT (KG)
	A	B	C	D	E	FØ	L	W	H	
VSC1-7.5	180	178	262	237	196	1"	300	185	200	2.5

PRESSURE LOSS DATA

MODEL	L/MIN	0	50	100	150	200
VSC1-7.5	PRESSURE LOSS	0	0.25	0.5	2	2

