



PUMPS AUSTRALIA

BETTER • FASTER • EASIER



INDUSTRIAL CUTTER PUMP

TECHNICAL DATA

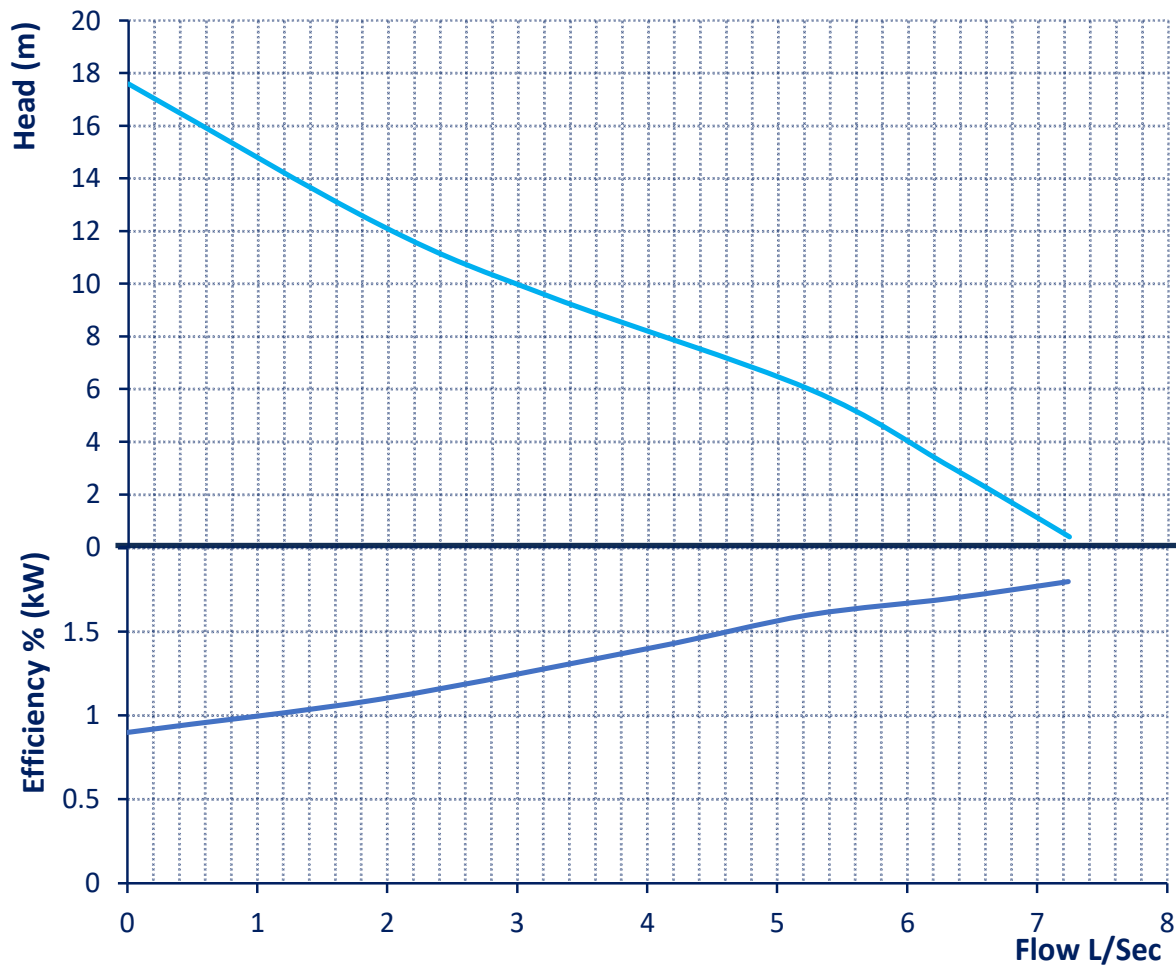
MODEL: RCE160
CODE: 22863

MAX HEAD 17.6M
MAX FLOW 7.24L/SEC
MOTOR POWER 1600W
DISCHARGE 32MM



CHARACTERISTIC CURVE & PERFORMANCE DATA

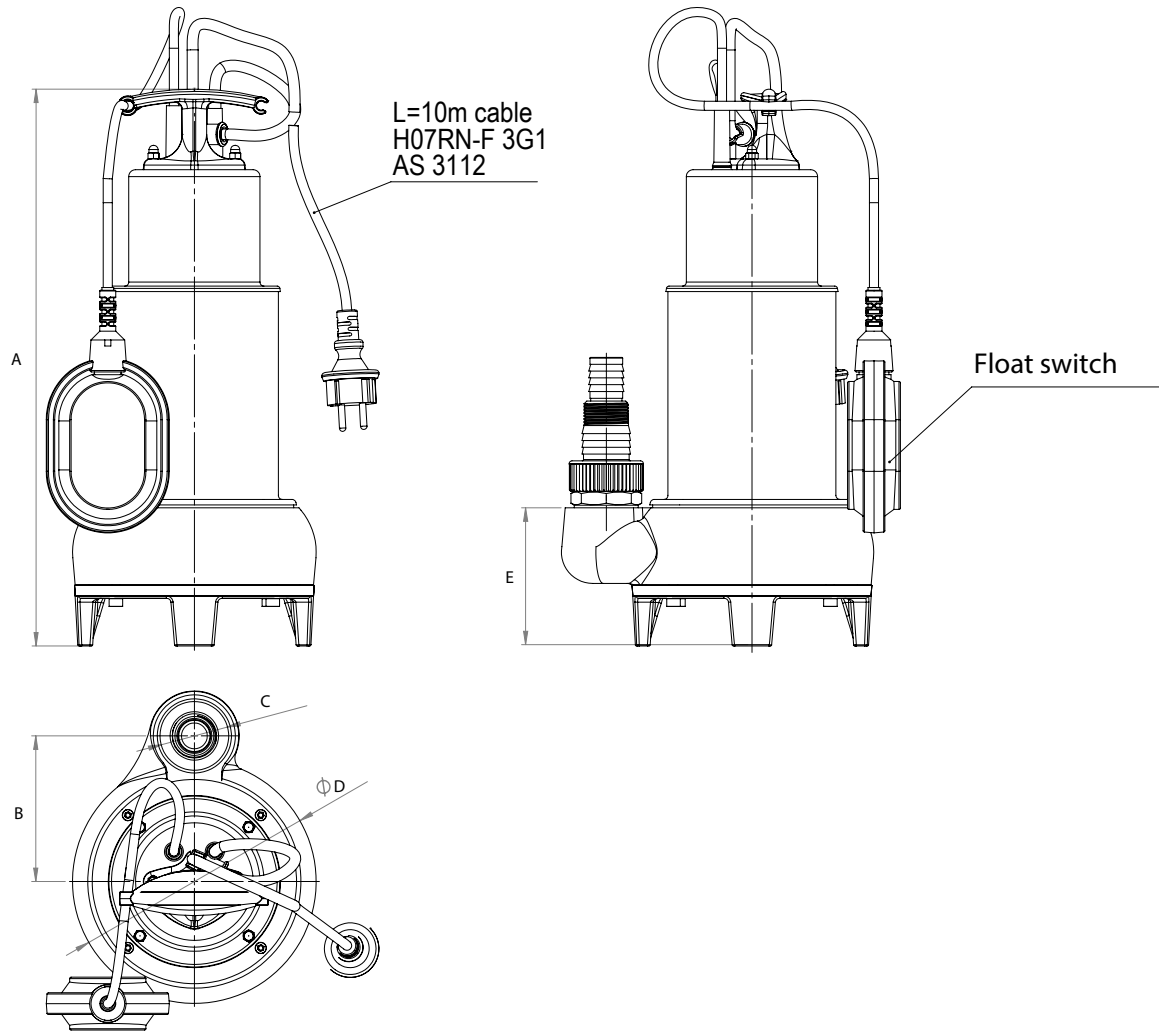
CUTTER PUMP RCE160



TYPE	Nominal Power (P2)		Input Power (P1)	Input Current (A)
	W	HP		
Single Phase RCE160	1200	1.6	1600	240V 8.2

L/SEC	0	1	2	3	4	5	6	7
HEAD (M)	17.6	14.5	12	10	8	6.1	4	0.5

DIMENSIONS & WEIGHT



CUTTER PUMP RCE160

MODEL	DIMENSIONS (MM)					PACKING (MM)			WEIGHT (KG)
	A	B	C	DØ	E	L	W	H	
RCE160	410	107	1 1/4"	180	100	220	190	450	15