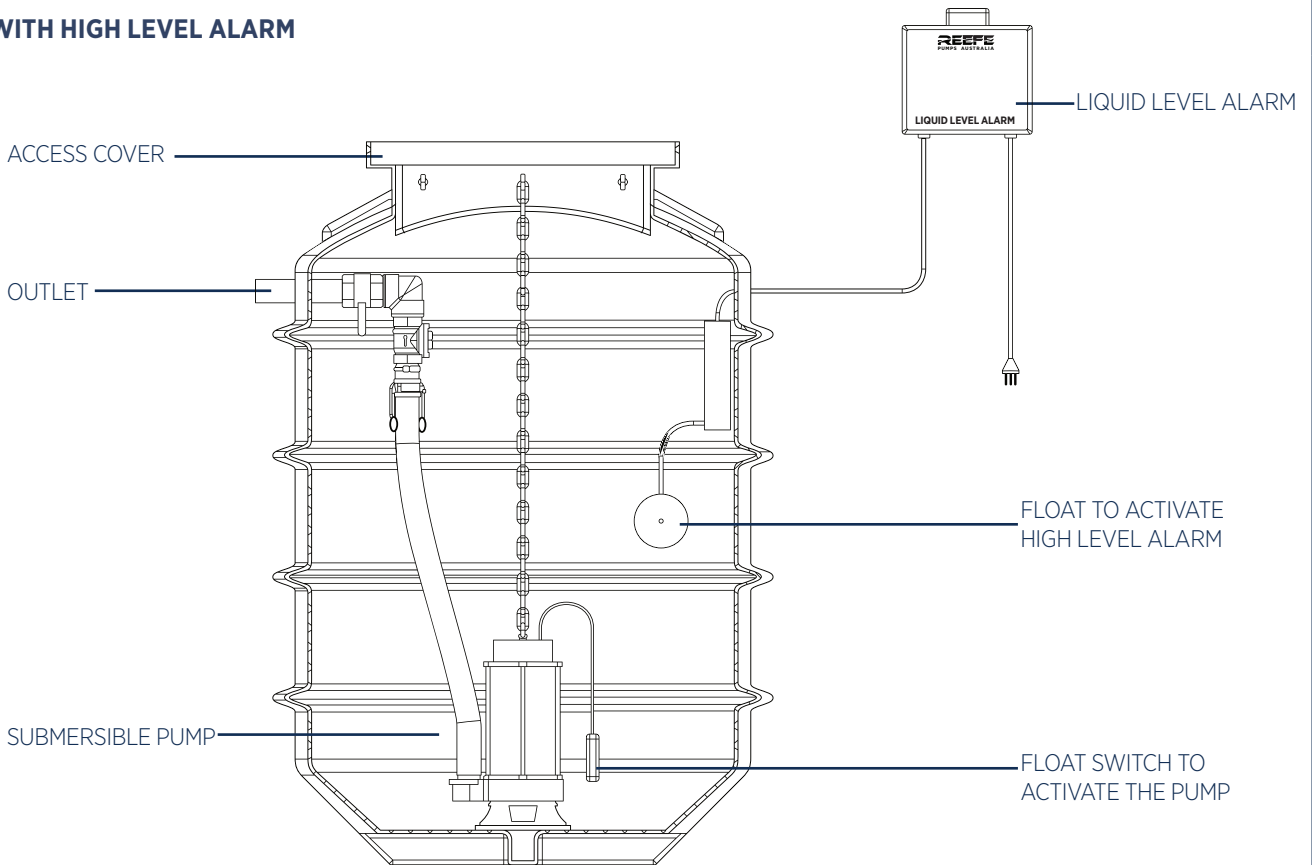


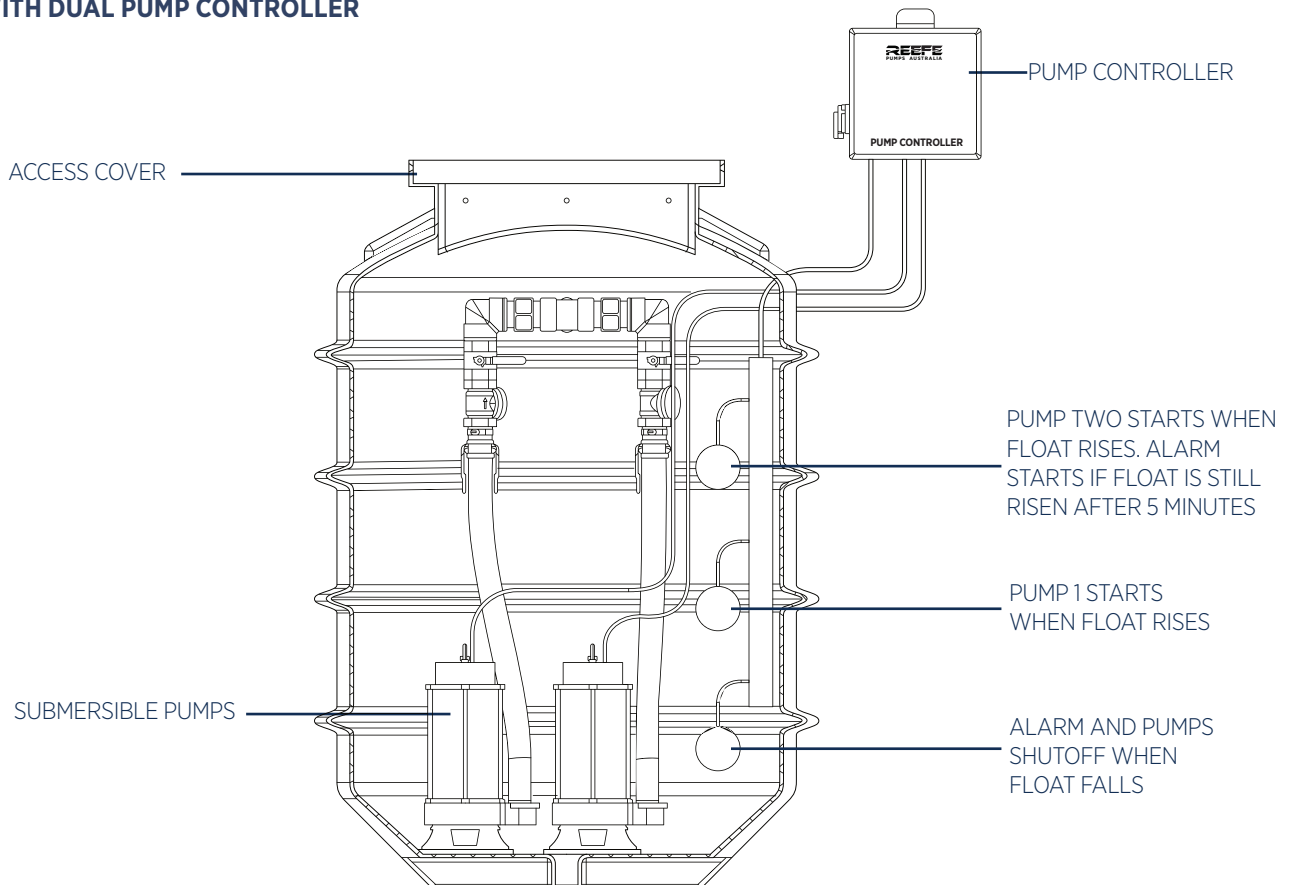
## TYPICAL SINGLE PUMP STATION

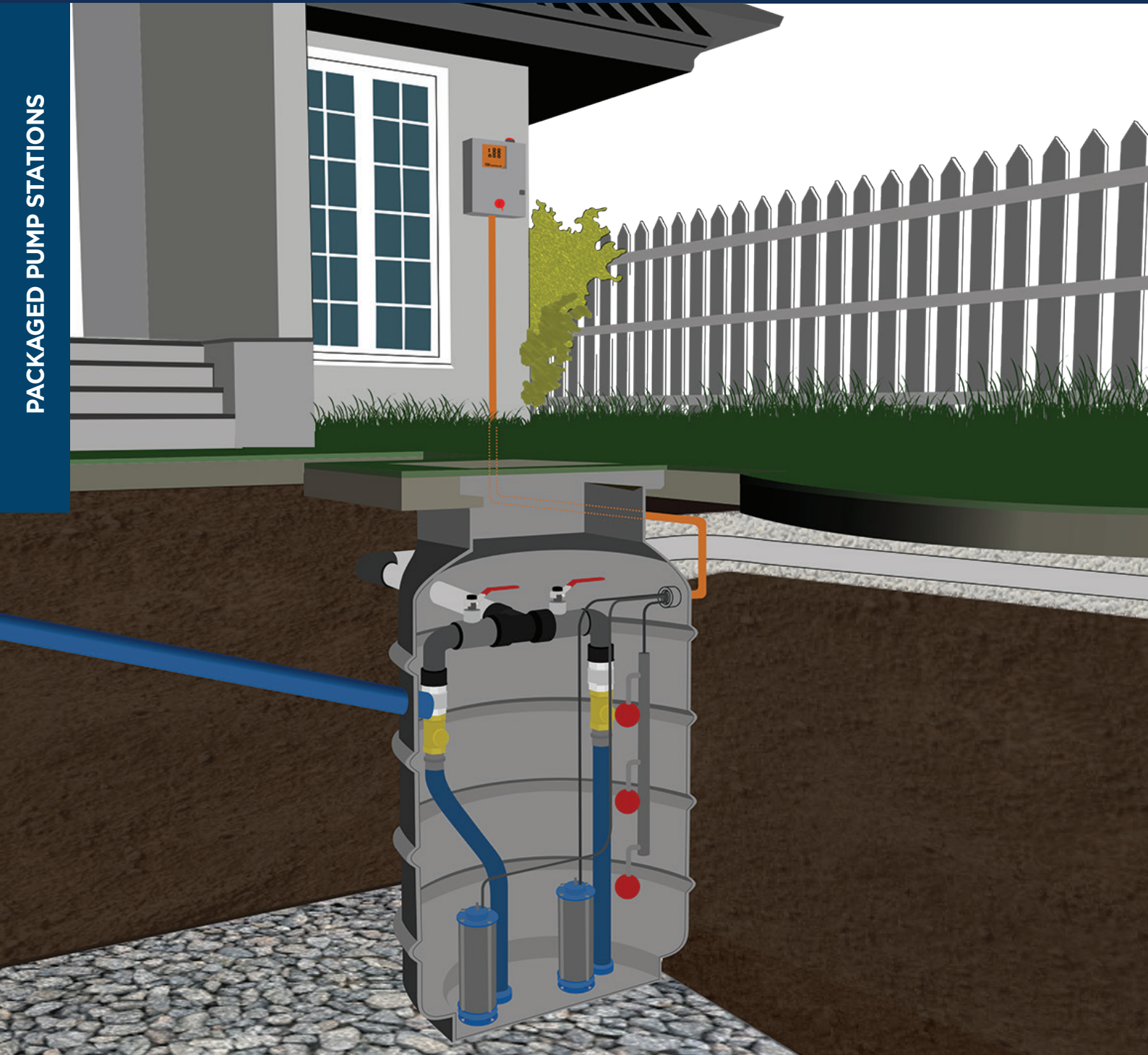
WITH HIGH LEVEL ALARM



## TYPICAL DUAL PUMP STATION

WITH DUAL PUMP CONTROLLER





## MORE OPTIONS AVAILABLE !

Ascento is able to manufacture a wide range of custom packaged pump stations to suit your exact project requirements.

- Larger pump well capacity
  - Riser/s
  - Larger pump
  - Additional control functions
  - Guide Rail systems
  - Different class access cover or grate
  - Complete custom pump station packages available
- Simply send your project drawings, or list out the project requirements on an email to [estimating@ascento.com.au](mailto:estimating@ascento.com.au)

Alternatively, scan the QR code for our online form.

Wish to discuss the options with a consultant?  
Phone **1800 807 604**